



(888) 800-ARIES

INSTRUCTIONS

MOUNT KIT 224010 (2000-04 CHEVROLET TAHOE/GM YUKON 1500)

<u>QTY.</u>	<u>CONTENTS</u>
2	OVAL SIDE TUBES
2	FRONT BRACKETS
2	REAR BRACKETS
8	1/4" BOLTS
8	1/4" FLAT WASHERS
8	1/4" LOCK WASHERS
8	1/4" HEX NUT

STEP 1 REMOVE CONTENTS FROM BOX AND VERIFY ALL PART ARE PRESENT. READ INSTRUCTIONS COMPLETELY BEFORE BEGINNING.

STEP 2 REMOVE EXISTING 12MM BODY MOUNT BOLTS FROM UNDERSIDE OF CAB. **DO NOT DISCARD!**

STEP 3 INSTALL BRACKETS AS SHOWN. HAND TIGHTEN (SEE FIGURE 1).

STEP 4 LINE BRACKET HOLES WITH THE THOSE OF THE OVAL TUBE. ASSEMBLE 1/4" HARDWARE.

STEP 5 MAKE SURE STEP BAR AND BRACKETS ARE PROPERLY ALIGNED. TIGHTEN AND TORQUE 5/16" HARDWARE TO 19 FT-LBS. AND 1/4" HARDWARE TO 9 FT-LBS.

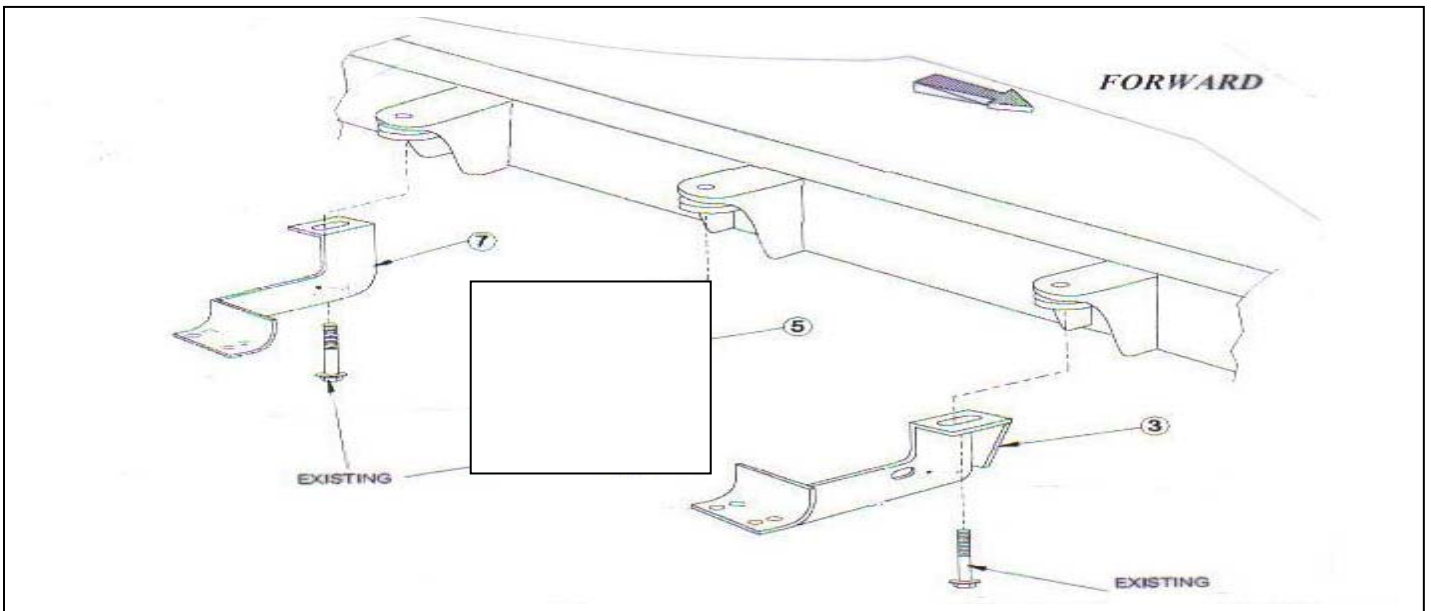


FIGURE 1

FINISH PROTECTION- ARIES PRODUCTS HAVE A HIGH FINISH THAT MUST BE MAINTAINED SUCH AS ANY OTHER HIGH FINISH PRODUCT ON THE VEHICLE. PROTECT THE FINISH WITH A NON-ABRASIVE AUTOMOTIVE WAX. THE USE OF SOAP, POLISH, OR WAX THAT CONTAINS ABRASIVES IS DETRIMENTAL, AS THE COMPOUNDS SCRATCH THE FINISH AND OPEN IT TO CORROSION.

DISCLAIMER- BUYER ASSUMES ALL RISK AND LIABILITY WHATSOEVER FROM THE INSTALLATION AND USE OF ARIES PRODUCTS. ARIES PRODUCTS ARE SOLD AS DECORATIVE ACCESSORIES AND SHOULD NOT BE RELIED UPON AS PROTECTION FOR THE VEHICLE OR OCCUPANTS IN THE EVENT OF A COLLISION OR ROLL OVER. ARIES AUTOMOTIVE ASSUMES NO LIABILITY FOR INJURY, LOSS, INCIDENTAL OR CONSEQUENTIAL DAMAGES IN THE EVENT OF A COLLISION OR ROLLOVER.