



Installation Instructions

FJ Cruiser Winch Bumper

Product Number: A1750-A1751

Application: '07 Toyota FJ Cruiser

SAFETY

Your safety and the safety of others is very important.

- In order to help you make informed decisions about safety, we have provided installation instructions and other information.
- These instructions alert you to potential hazards that could hurt you or others.
- Please do a job safety analysis (JSA) before each task to identify potential hazards for your situation and remove/protect against them.
- You must use your own good judgment, and take your time.

Read and understand all safety precautions and instructions before installing this product.

THIS PRODUCT IS FOR OFFROAD USE ONLY. ALL LIABILITY FOR INSTALLATION AND USE RESTS WITH THE OWNER.

CARELESS INSTALLATION AND OPERATION CAN RESULT IN SERIOUS INJURY OR EQUIPMENT DAMAGE.

Injury hazard

Failure to observe these instructions could lead to severe injury or death.

- Always** remove jewelry and wear eye protection.
- Always** use extreme caution when jacking up a vehicle for work. Set emergency brake and use tire blocks. Locate and use the vehicle manufacturers designated lifting points. Use jack stands.
- Always** use appropriate and adequate care in lifting components into place.
- Always** insure components will remain secure during installation and operation.
- Always** wear safety glasses when installing this kit. A drilling operation will cause flying metal chips. Flying chips can cause serious eye injury.
- Always** use extreme caution when drilling on a vehicle. Thoroughly inspect the area to be drilled (on both sides of material) prior to drilling, and relocate any objects that may be damaged.
- Always** use extreme caution when cutting and trimming during fitting.
- Always** tighten all nuts and bolts securely per installation instructions.
- Always** route electrical cables carefully. Avoid moving parts, components that become hot and rough or sharp edges.
- Always** insulate and protect all exposed wiring and electrical terminals.
- Always** perform regular inspections and maintenance on mounts and related hardware.





Installation Instructions FJ Cruiser Winch Bumper

Product Number: A1750-A1751
Application: '07 Toyota FJ Cruiser

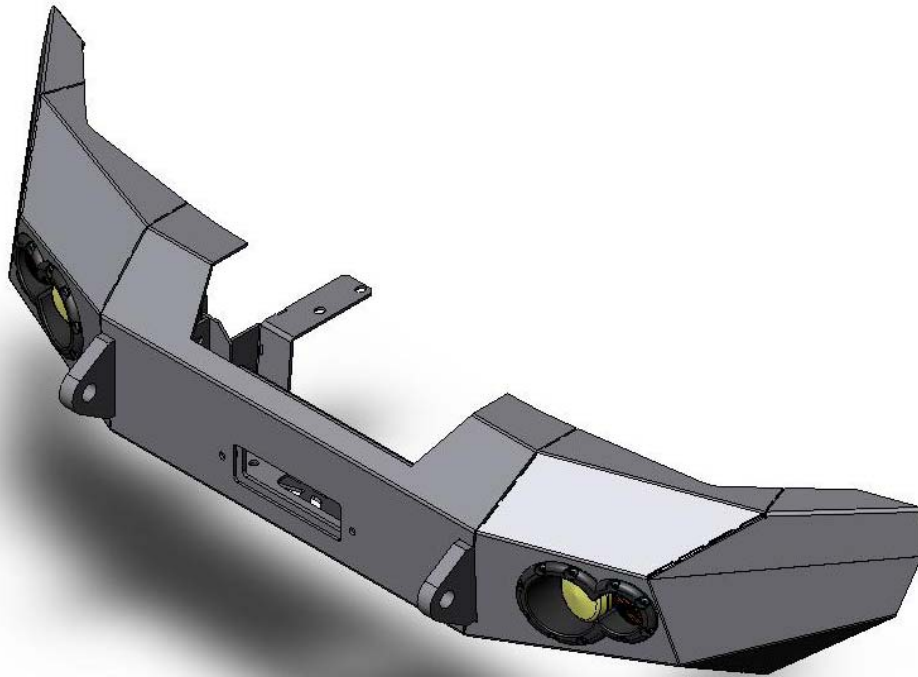
I. Overview

Congratulations on your new purchase of the industries' best and most stylish Toyota FJ Cruiser Front Winch Bumper! This bumper has been **engineered** for strength while keeping the weight down. It can accept the Warn 9.5ti/si winch... and look cool doing it.

This product has also been **engineered** to allow alignment in three directions plus "caster" so you will end up with a very professional fit.

Your bumper was designed in 3-D from digitized data, CNC laser cut, fabricated, and powder coated... all in the U.S.A.

Enjoy the fit and finish of a quality FJ Front Winch Bumper from Fab Fours Inc!



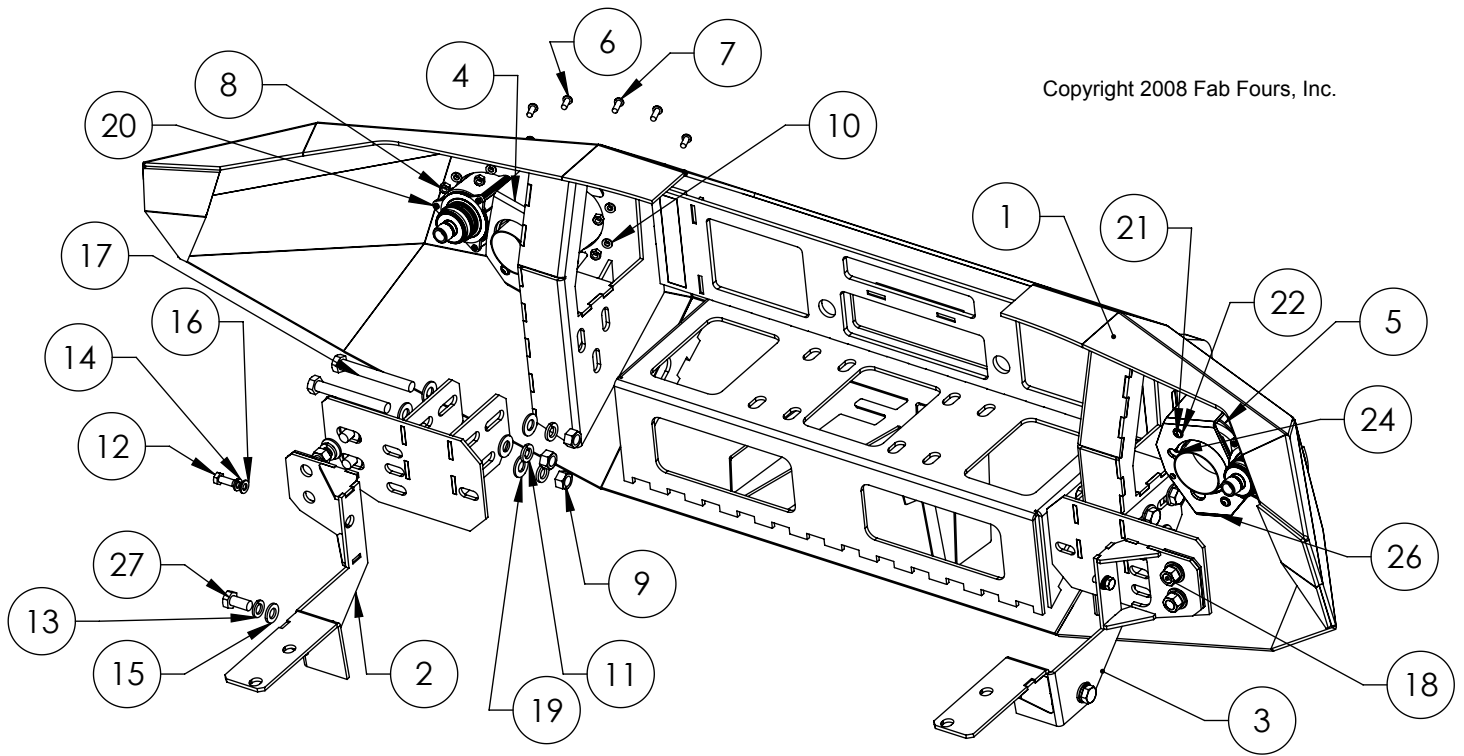


Installation Instructions FJ Cruiser Winch Bumper

Product Number: A1750-A1751
Application: '07 Toyota FJ Cruiser

II. Parts List





ITEM NO.	DESCRIPTION	A1751/QTY.
1	TF07-A Front Winch Bumper Weldment	1
2	TF07-A Mounting Bracket Assembly - L	1
3	TF07-A Mounting Bracket Assembly - R	1
4	Light Insert Assembly - Left - FJ	1
5	Light Insert Assembly - Right - FJ	1
6	1/4"-20 UNC THREAD x 0.625" LENGTH BUTTON HEAD SOCKET CAP SCREW	12
7	1/4"-20 UNC THREAD x 3/4" LENGTH BUTTON HEAD SOCKET CAP SCREW, 18-8 STAINLESS STEEL	8
8	1/4" -20 THREAD HEX NUT, GRADE 8	20
9	1/2" -13 THREAD HEX NUT, GRADE 8	10
10	1/4" SCREW DIA REGULAR SPRING LOCK WASHER	20
11	1/2" SCREW DIA REGULAR SPRING LOCK WASHER	10
12	M8 THREAD x 20 LENGTH x 1.25 PITCH HEX HEAD CAP SCREW	2
13	M12 SCREW DIA DIN 127B SPRING LOCK WASHER	2
14	M8 SCREW DIA DIN 127B SPRING LOCK WASHER	2
15	M12 SCREW DIA DIN 125 WASHER	2
16	M8 SCREW DIA DIN 125 WASHER	2
17	1/2" -13 UNC THREAD x 4" LENGTH HEX HEAD CAP SCREW, GRADE 8	6
18	1/2" -13 UNC THREAD x 1 1/2" LENGTH HEX HEAD CAP SCREW, GRADE 8	4
19	1/2" SCREW DIA, SAE STANDARD FLAT WASHER	20
20	PAN HEAD THREAD FORMING SCREW, #8-18 x 1"	6
21	#10 -32 UNF THREAD x 1/2" LENGTH BUTTON HEAD SOCKET CAP SCREW	4
22	#10 SCREW DIA, SAE STANDARD FLAT WASHER	8
23	#10 -32 THREAD HEX MACHINE SCREW NUT	4
24	TF07-A 90mm Fog Light Adapter Plate	2
25	TF07-A Light Insert Bracket, Left	1
26	TF07-A Light Insert Bracket, Right	1
27	M12 THREAD x 25 LENGTH x 1.25 PITCH HEX HEAD CAP SCREW	2



Installation Instructions FJ Cruiser Winch Bumper

Product Number: A1750-A1751
Application: '07 Toyota FJ Cruiser

III. Tools Required

- Regular Screwdriver
- Phillips Screwdriver
- Electric Hand Grinder
- Socket Wrench With Extension
- 10mm Socket
- 12mm Socket
- 13mm Socket
- 19mm Socket
- 3/4" Socket
- 3/4" Open End Wrench
- 7/16" Open End Wrench
- 3/8" Open End Wrench
- 1/8" Allen Wrench
- 5/32" Allen Wrench
- Hammer
- Tin Snips

IV. Vehicle Preparation

- A) Open hood.
- B) Remove grill by removing the two outer dart clips and two bolts shown below. Remove clips by prying middle section up and removing clip from hole.



Figure 1





Installation Instructions FJ Cruiser Winch Bumper

Product Number: A1750-A1751
Application: '07 Toyota FJ Cruiser

- ❑ C) Remove grill from vehicle by pulling directly forward (plastic clips hold grill in place) and set aside.



Figure 2

- ❑ D) Remove five dart clips across the top of the OEM bumper plastic using technique described above.

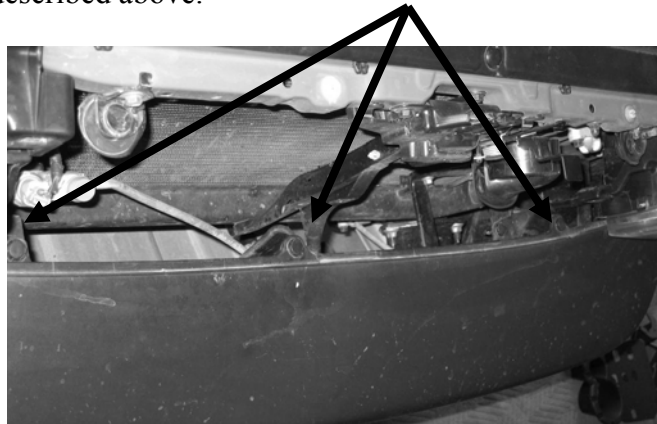


Figure 3





Installation Instructions FJ Cruiser Winch Bumper

Product Number: A1750-A1751
Application: '07 Toyota FJ Cruiser

- ❑ E) Remove two screws in fenderwell using 10mm socket. Repeat for other side.



Figure 4

- ❑ F) If applicable, drop aluminum OEM skid plate by removing six bolts using 12mm socket, skid plate will not be reused.
- ❑ G) Remove two fasteners from lower bumper plastic mounting tabs as shown below using 10mm socket.



Figure 5





Installation Instructions FJ Cruiser Winch Bumper

Product Number: A1750-A1751
Application: '07 Toyota FJ Cruiser

- ❑ H) Remove the lower OEM skid plate, along with aluminum skid plate front mounts. Retain all hardware as it will be reused later. Upper skid plate mounts will not be reused.



Figure 6

- ❑ I) remove three 10mm screws on the lower outside edges of the stock bumper (holds the triangular plastic trim). Repeat for other side.



Figure 7





Installation Instructions FJ Cruiser Winch Bumper

Product Number: A1750-A1751
Application: '07 Toyota FJ Cruiser

- ❑ **J)** Remove OEM bumper plastic by prying plastic off of edge bosses (see arrow) and pulling straight forward.



Figure 8

- ❑ **K)** Remove OEM bumper/cross member by removing 4) 14mm nuts (repeat for other side) and pulling bumper off studs.

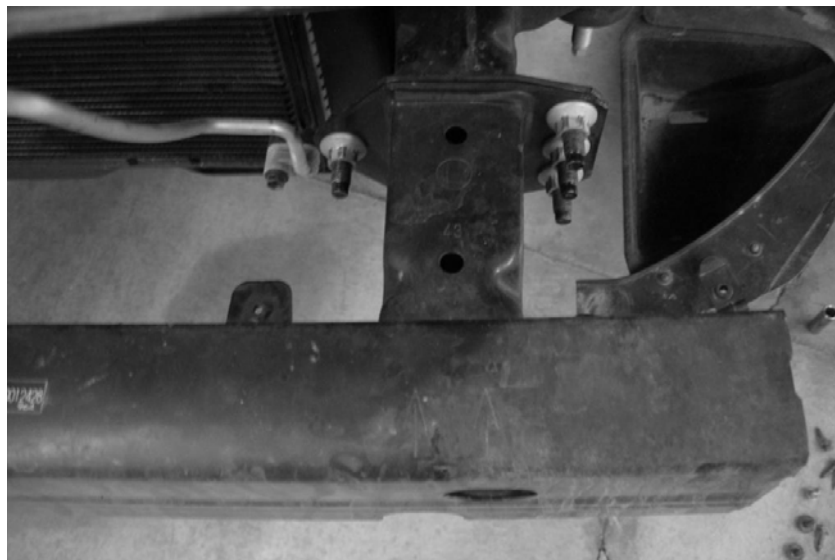


Figure 9





Installation Instructions FJ Cruiser Winch Bumper

Product Number: A1750-A1751
Application: '07 Toyota FJ Cruiser

- ❑ L) Remove OEM front fascia mount by removing three bolts using 10mm socket, one at center of grill support and one on each side of vehicle.

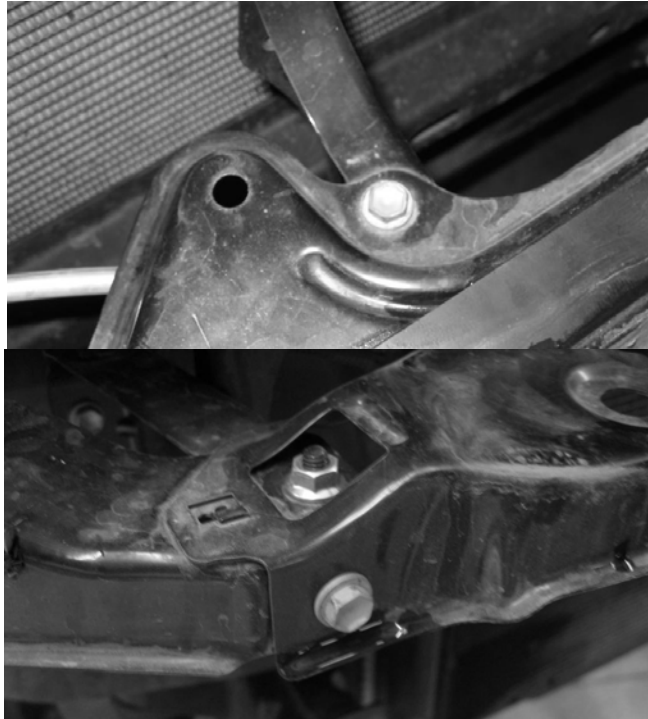


Figure 10

- ❑ M) Remove pyramidal plastic by removing 10mm screw, repeat for other side.



Figure 11





Installation Instructions FJ Cruiser Winch Bumper

Product Number: A1750-A1751
Application: '07 Toyota FJ Cruiser

- ❑ N) Remove sway bar mount (notice aluminum spacer – not OEM), retain bolts for reinstallation. Let sway bar hang from tie rods.



Figure 12

- ❑ O) Install intermediate mount to frame by sandwiching mount between frame and sway bar mount. Reinstall OEM sway bar mount bolts loosely. Install supplied metric hardware through mount and into frame as shown.



Figure 13





Installation Instructions FJ Cruiser Winch Bumper

Product Number: A1750-A1751
Application: '07 Toyota FJ Cruiser

- ❑ **P)** Install bumper mounts as shown (bolts from outside in). This must be done before installing light pockets into bumper. Do not tighten fully until final adjustments are made.

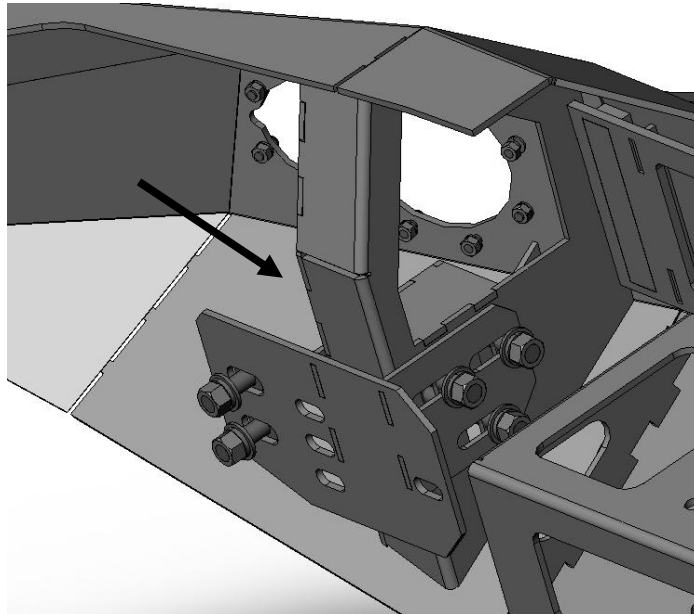


Figure 14

- ❑ **Q)** Install turn signal into light pockets as shown using self-tapping screws as shown below.



Figure 15





Installation Instructions FJ Cruiser Winch Bumper

Product Number: A1750-A1751
Application: '07 Toyota FJ Cruiser

- ❑ Q) Install fog lamp into brackets as shown using #10-32 bolts and nuts. Be sure to align large cutout in light bracket with adjuster screw on light assembly, with the large cutout on the light insert.

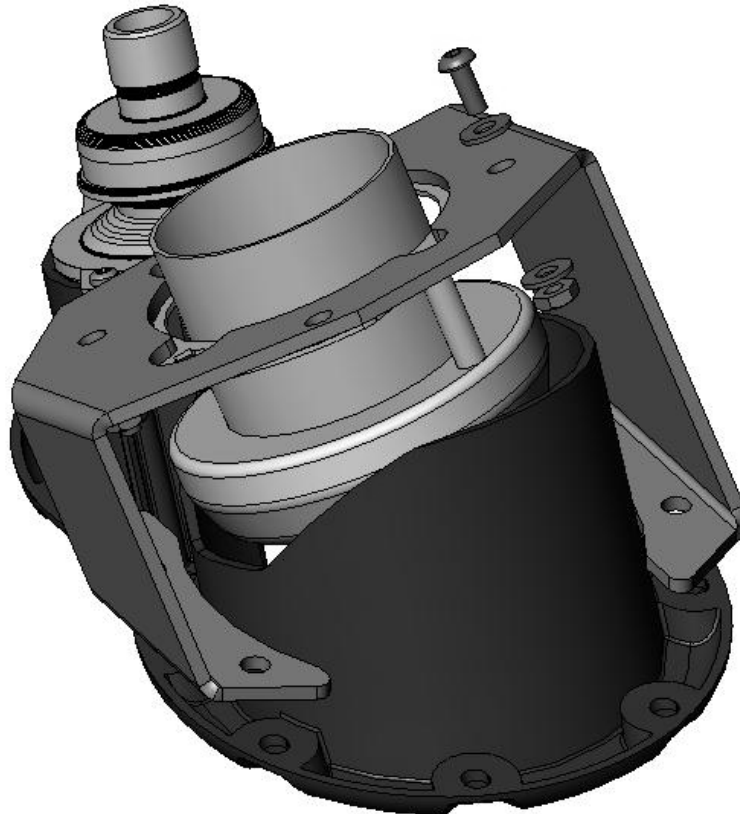


Figure 16





Installation Instructions FJ Cruiser Winch Bumper

Product Number: A1750-A1751
Application: '07 Toyota FJ Cruiser

- ❑ R) Install light pocket into bumper through front face, align corresponding fog lamp/bracket from back side. Secure with 10 (each side) button head screws as shown. Longer screws to go through holes with light insert and light bracket. Verify that light alignment adjusters are on bottom of light assembly. Repeat for other side.

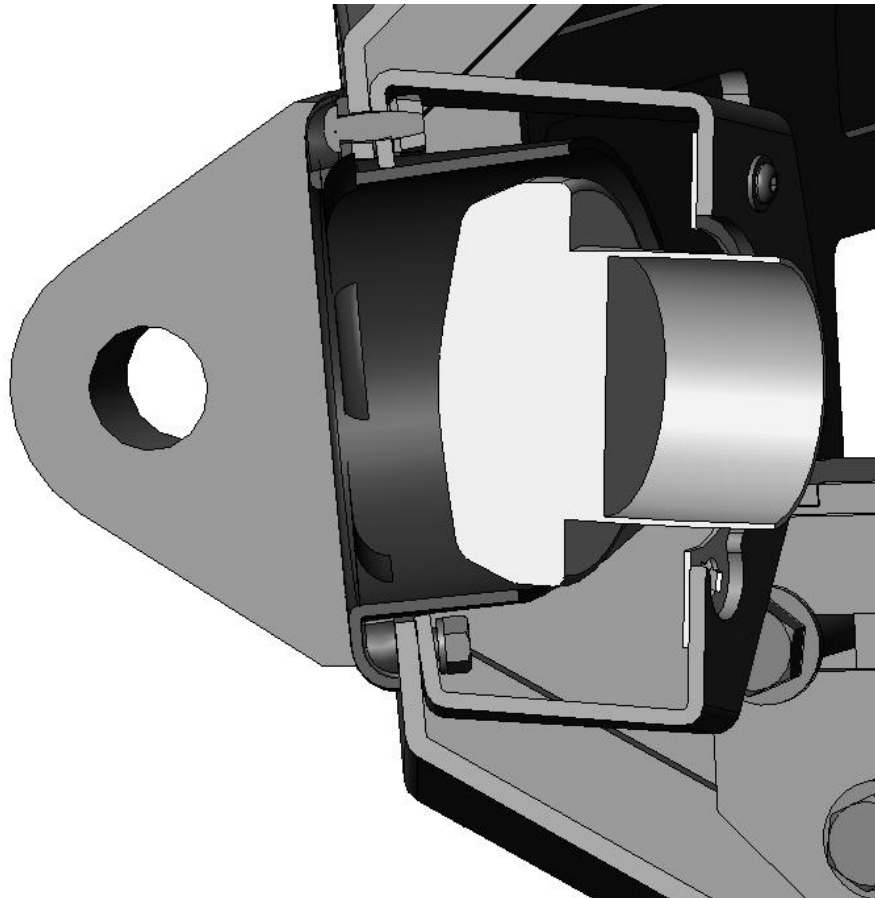


Figure 17

- ❑ S) Attach harnesses to fog lamps – see wiring section for details.
- ❑ T) Lift bumper onto OEM bumper mounting studs and install OEM nuts, Tighten nuts fully.
- ❑ U) Tighten intermediate mounting bolts fully, including sway bar bracket bolts.





Installation Instructions FJ Cruiser Winch Bumper

Product Number: A1750-A1751
Application: '07 Toyota FJ Cruiser

- ❑ V) Trim OEM Bumper Mounting tab from grill gusset bracket as shown. Be sure to smooth edge to remove any burrs. Touch up with black paint if desired.

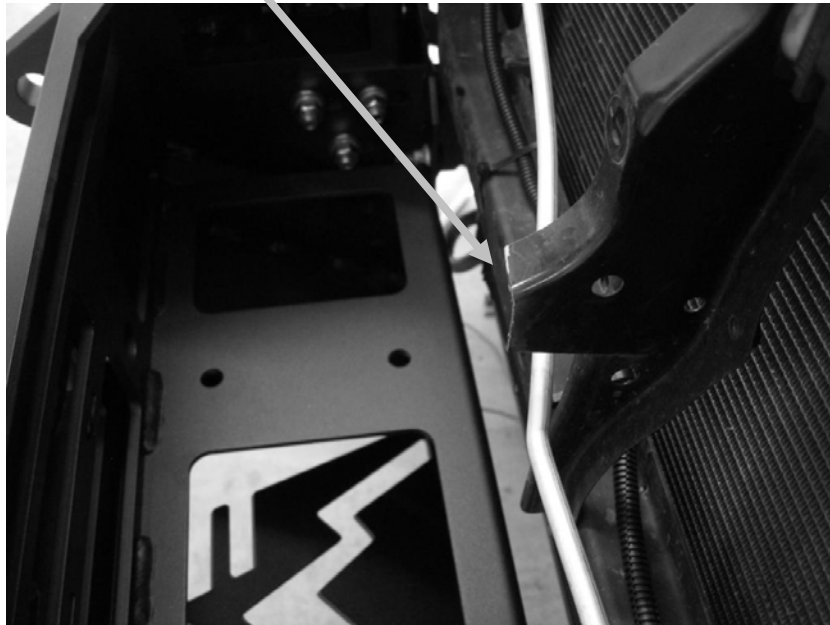


Figure 18

- ❑ W) If installing winch, do so now, before bumper alignment is finalized. Follow instructions provided with winch. Remember to install fairlead onto front of bumper.
- ❑ X) Adjust bumper placement starting with centering. Adjust height next, make sure to test-fit grill to verify proper clearance above top of winch. Last, adjust caster (forward/back tilt), and tighten all mounting bolts fully.
- ❑ Y) Reinstall lower OEM skid plate using original hardware.
- ❑ Z) Reinstall OEM grill in reverse order of removal.
- ❑ AA) **Optional:** trim OEM inner fender to match profile of Fab Fours bumper, secure with tie wraps as needed.





Installation Instructions FJ Cruiser Winch Bumper

Product Number: A1750-A1751
Application: '07 Toyota FJ Cruiser

V. Lights and wiring installation

Turn Indicator

- ❑ A) On each side, disconnect light connector and tap into the three turn indicator wires using supplied tap connectors (reference the wiring diagram).



Figure 19

- ❑ B) Connect supplied turn indicator wiring harnesses to tap connectors following wiring diagram; repeat for other side.
- ❑ C) After turn indicator harnesses are attached to turn indicators, fill the indicator plug with RTV or other silicone sealant to ensure moisture does not enter plug.





Installation Instructions FJ Cruiser Winch Bumper

Product Number: A1750-A1751
Application: '07 Toyota FJ Cruiser

Headlight

- D1) Optional:** Install Hella® light harness per installation instructions provided.
- D2)** Tap into OEM headlight wires (low beam) at the headlight connector following wiring diagram - use two supplied tap connectors. Repeat for other side.
- E)** Connect supplied fog lamp wiring harness to tap connectors following wiring diagram. Repeat for other side.





Installation Instructions FJ Cruiser Winch Bumper

Product Number: A1750-A1751
Application: '07 Toyota FJ Cruiser

VI. Wiring Diagram

Passenger Side Turn Indicator at Headlight

OEM (Running) Green → White Fab Fours
OEM (Turn) Blue/White → Red Fab Fours
OEM (Ground) White/Blk → Green Fab Fours

Driver Side Turn Indicator at Headlight

OEM (Running) Green → White Fab Fours
OEM (Turn) Blue/White → Red Fab Fours
OEM (Ground) White/Blk → Green Fab Fours

Driver Fog Lamp

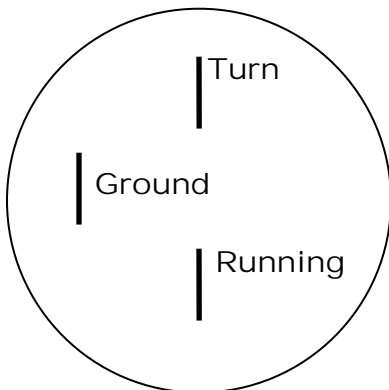
OEM (Power) Red/Yellow → Red Fab Fours
OEM (Ground) Blue → Green Fab Fours

Passenger Fog Lamp

OEM (Power) Blue/Red → Red Fab Fours
OEM (Ground) Red/Wht → Green Fab Fours

Note: Tap into Fab Fours driver side fog lamp harness to supply passenger side

Hella Turn Indicator Connectors





Installation Instructions FJ Cruiser Winch Bumper

Product Number: A1750-A1751
Application: '07 Toyota FJ Cruiser

VII. Maintenance/Care

- Periodically check and tighten all fasteners.
- Stripped, fractured, or bent bolts or nuts need to be replaced.

VIII. Contact Information

Fab Fours Inc.
10424 Rodney St.
Charlotte, NC 28134

Phone (866)-385-1905
Fax (866)-574-1424
Email Support@fabfours.com



More than expected... Better than expected

