



Installation Instructions

2008 Chevy Winch Bumper

Product Number: H2050-H2052

Application: '07.5-Current Chevy Silverado 1500

(Non-Classic)

SAFETY

Your safety and the safety of others is very important.

- In order to help you make informed decisions about safety, we have provided installation instructions and other information.
- These instructions alert you to potential hazards that could hurt you or others.
- Please do a job safety analysis (JSA) before each task to identify potential hazards for your situation and remove/protect against them.
- You must use your own good judgment, and take your time.

Read and understand all safety precautions and instructions before installing this product.

THIS PRODUCT IS FOR OFFROAD USE ONLY. ALL LIABILITY FOR INSTALLATION AND USE RESTS WITH THE OWNER.

CARELESS INSTALLATION AND OPERATION CAN RESULT IN SERIOUS INJURY OR EQUIPMENT DAMAGE.

Injury hazard

Failure to observe these instructions could lead to severe injury or death.

- Always** remove jewelry and wear eye protection.
- Always** use extreme caution when jacking up a vehicle for work. Set emergency brake and use tire blocks. Locate and use the vehicle manufacturers designated lifting points. Use jack stands.
- Always** use appropriate and adequate care in lifting components into place.
- Always** insure components will remain secure during installation and operation.
- Always** wear safety glasses when installing this kit. A drilling operation will cause flying metal chips. Flying chips can cause serious eye injury.
- Always** use extreme caution when drilling on a vehicle. Thoroughly inspect the area to be drilled (on both sides of material) prior to drilling, and relocate any objects that may be damaged.
- Always** use extreme caution when cutting and trimming during fitting.
- Always** tighten all nuts and bolts securely per installation instructions.
- Always** route electrical cables carefully. Avoid moving parts, components that become hot and rough or sharp edges.
- Always** insulate and protect all exposed wiring and electrical terminals.
- Always** perform regular inspections and maintenance on mounts and related hardware.





Installation Instructions

2008 Chevy Winch Bumper

Product Number: H2050-H2052

Application: '07.5-Current Chevy Silverado 1500
(Non-Classic)

I. Overview

Congratulations on your purchase of the industries' best and most stylish Chevy Winch Bumper! This bumper has been **engineered** for strength while keeping the weight down. It can accept the Warn 16.5 winch... and look cool doing it.

This product has also been **engineered** to allow alignment in three directions plus "castor" so you will end up with a very professional fit.

Your bumper was designed in 3-D from digitized data, CNC laser cut, fabricated, and powder coated... all in the U.S.A.

Enjoy the fit and finish of a quality Chevy Winch Bumper from Fab Fours Inc!





Installation Instructions

2008 Chevy Winch Bumper

Product Number: H2050-H2052

Application: '07.5-Current Chevy Silverado 1500
(Non-Classic)

II. Parts List

A. See Checklist supplied with Packaging

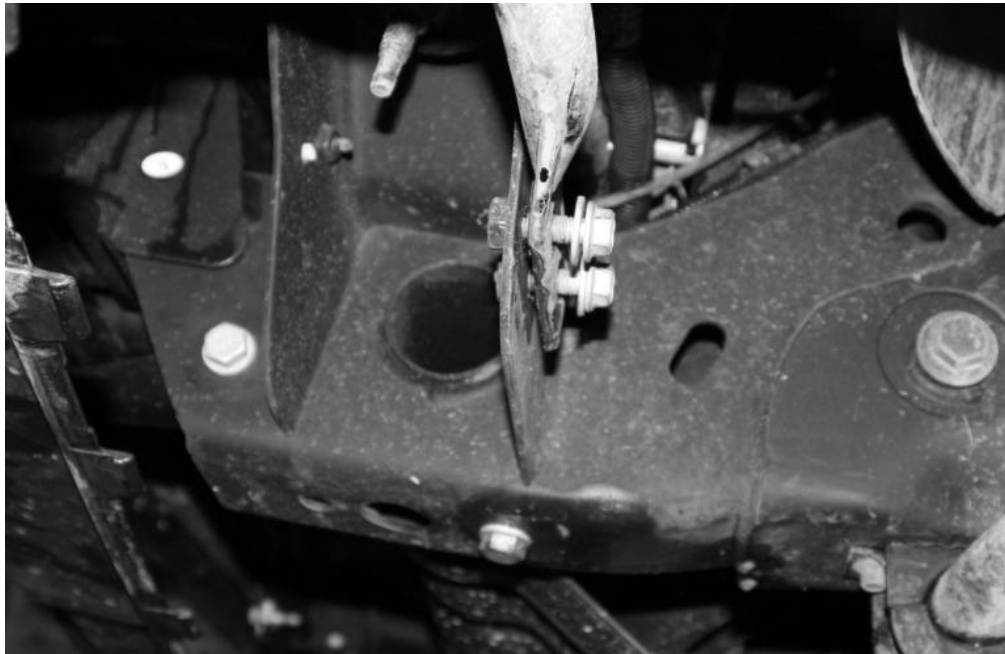
III. Tools Required

- Socket Wrench with Extension
- 7/32", 3/4", 10mm, 15mm, 18mm, 21mm Sockets
- 5/32" & 1/8" Allen Wrench or Socket Drive
- 3/8", 7/16", & 3/4" Box End Wrench
- Phillips Screwdriver
- Floor Jack and wood block.

IV. Vehicle Preparation

A. Disconnect the factory fog lamp connectors (If Applicable), zip tie harness to frame.

B. Remove bolts and swing outer bumper support tubes down and out of the way, using a 15mm socket. Two Bolts per side. See Image Below





Installation Instructions

2008 Chevy Winch Bumper

Product Number: H2050-H2052

Application: '07.5-Current Chevy Silverado 1500
(Non-Classic)

C. Remove the dart clips holding the rubber valance between the frame and the bumper.

D. Remove 21mm nuts(2 Per Side) from the bolt strips holding the bumper brackets to the frame. NOTE: SUPPORT BUMPER BEFORE REMOVING BOLT STRIPS! See Image Below.



E. With the bumper supported remove the bolts strip holding the bumper to the frame.

F. Pull outward slightly at the fender wells and remove the bumper from the front.





Installation Instructions

2008 Chevy Winch Bumper

Product Number: H2050-H2052

Application: '07.5-Current Chevy Silverado 1500

(Non-Classic)

G. With Bumper removed from the truck, remove the 18mm bolts attaching the Factory Tow Hooks to the frame. Remove the tow hooks. See Image Below



H. Your Truck is now ready for the installation of your New FAB FOURS BUMPER!

V. Lights and Wiring Installation

A. Remove headlights following owners manual. On each side, tap into the three turn indicator wires using supplied tap connectors (reference the wiring diagram).

B. Connect supplied turn indicator wiring harnesses to tap connectors following wiring diagram; repeat for other side.

C. Replace headlights and grill in reverse order of removal.

D. Tap into OEM fog light harness following wiring diagram using two supplied tap connectors.

E. Connect supplied fog lamp wiring harness to tap connectors following wiring diagram.





Installation Instructions

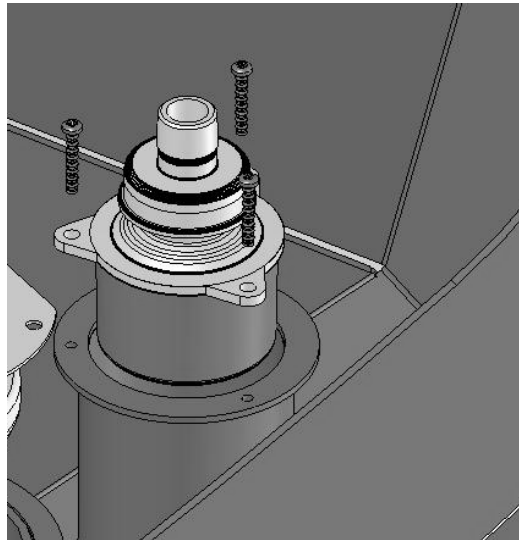
2008 Chevy Winch Bumper

Product Number: H2050-H2052

Application: '07.5-Current Chevy Silverado 1500
(Non-Classic)

F. Run passenger side fog lamp supply wires across bottom of bumper and tap into Fab Fours driver side fog lamp wires.

G. Install turn indicators into outside bumper light pockets using three self-tapping screws per side. Note: verify that "TOP" lettering on turn indicator is facing top of bumper.





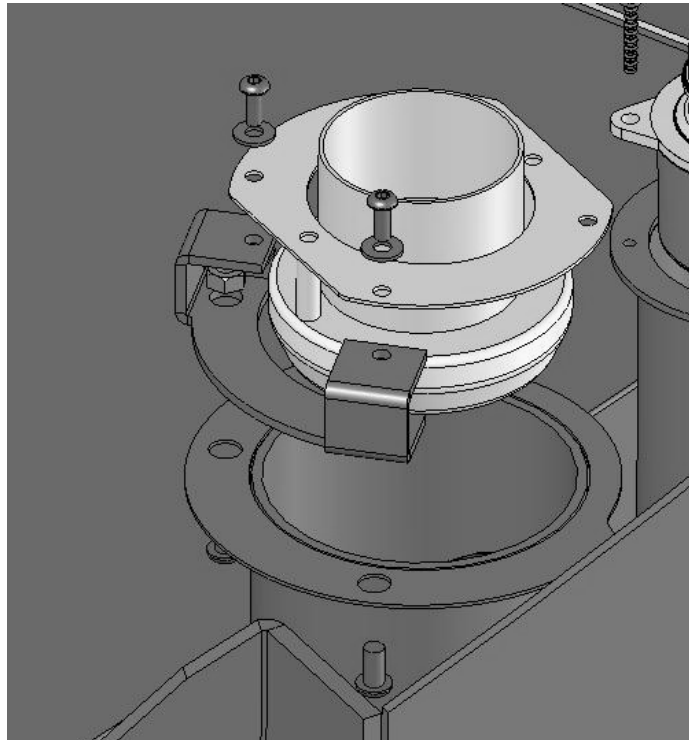
Installation Instructions

2008 Chevy Winch Bumper

Product Number: H2050-H2052

Application: '07.5-Current Chevy Silverado 1500
(Non-Classic)

H. Install fog lamp brackets onto inner light pockets using two bolts and nuts per side and attach running light to bracket as shown using two bolts, washers, and nuts per side. Verify that light adjustment screw is facing downward before tightening fully.





Installation Instructions

2008 Chevy Winch Bumper

Product Number: H2050-H2052

Application: '07.5-Current Chevy Silverado 1500

(Non-Classic)

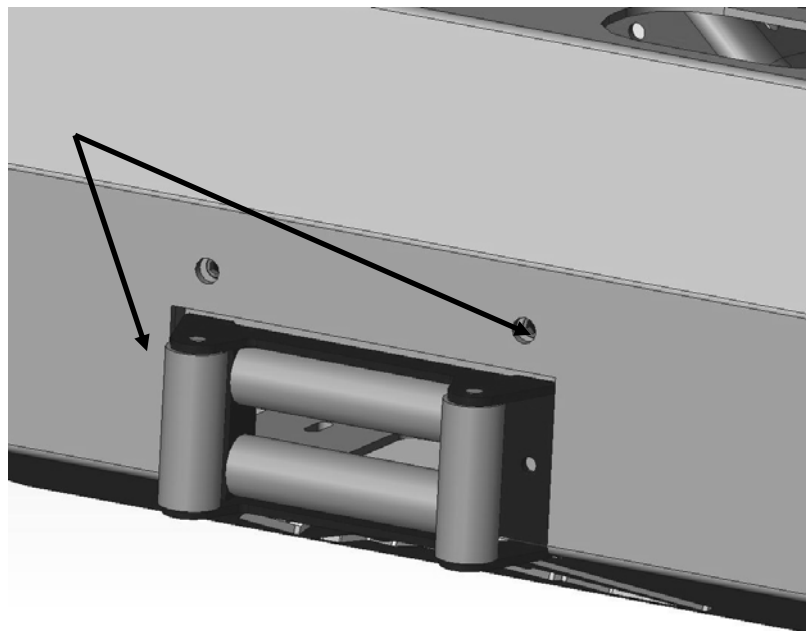
VI. Bumper Installation

NOTE: The Following Installation steps apply to the installation of the Bumper to the vehicle. **PLEASE READ THE ENTIRE MANUAL BEFORE ATTEMPTING INSTALLATION!** Ignoring these steps will increase your probability of scratching the vehicle during product Installation!

A. Remove the Bumper from the shipping carton. Lay all items out on a blanket to prevent damage to the powder coating.

B. OPTIONAL: If installing winch and roller fairlead (neither provided) into bumper, do it at this time. Bottom bolts (not provided) go through fairlead, then into winch. Thread 7/16" cap screws through hole in front bumper and into winch body.

C. NOTE: Winch should be bolted to **FRONT FACE** of the bumper in four places, and can be bolted to winch tray if so desired with two additional fasteners.





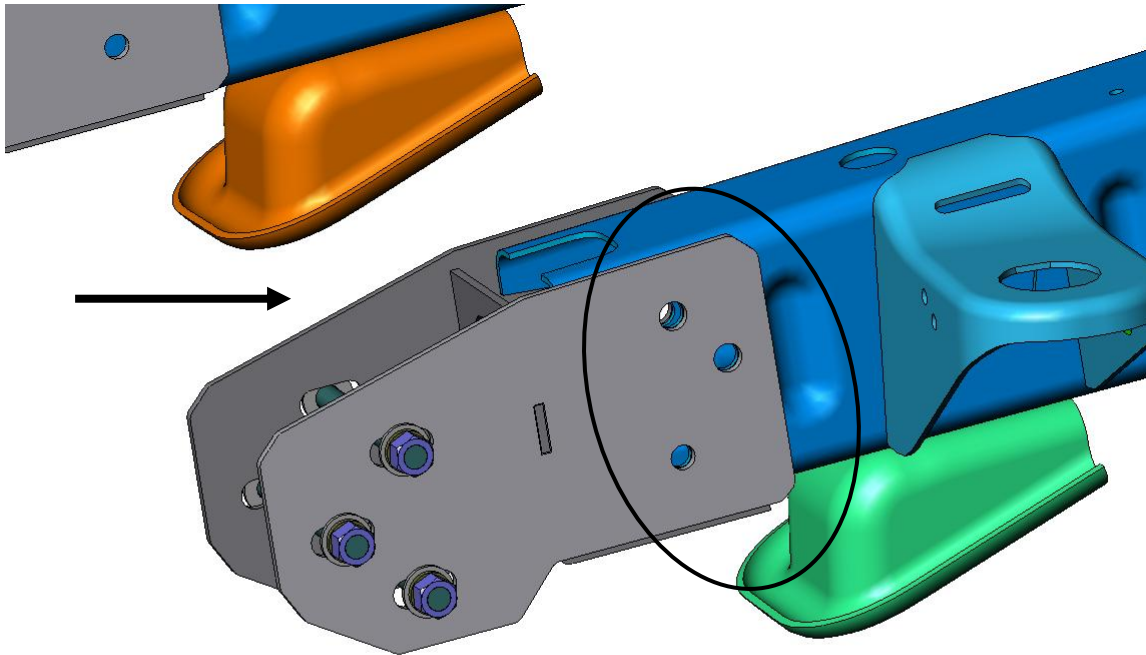
Installation Instructions

2008 Chevy Winch Bumper

Product Number: H2050-H2052

Application: '07.5-Current Chevy Silverado 1500
(Non-Classic)

D. Slide frame mount over frame and align with OEM mount locations (3 per side). Use Factory Bolt Strips and Tow Hook Hardware to fasten to the frame. Complete this one each frame rail, mounts are identical(Sides do not matter). Do Not Fully Tighten.





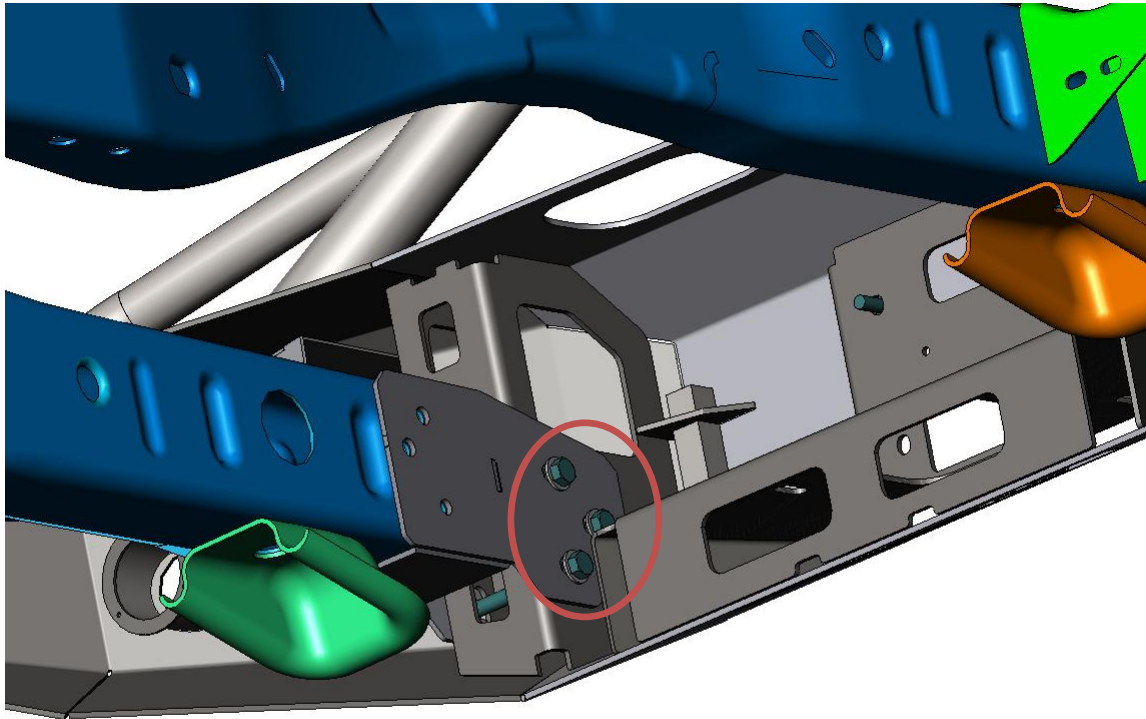
Installation Instructions

2008 Chevy Winch Bumper

Product Number: H2050-H2052

Application: '07.5-Current Chevy Silverado 1500
(Non-Classic)

E. Carefully align bumper mount towers with intermediate mounts and slide bumper into place. Install ½" mounting bolts but do not tighten fully. It may be helpful to support bumper with a floor jack(s) during install. Repeat for other side





Installation Instructions

2008 Chevy Winch Bumper

Product Number: H2050-H2052

Application: '07.5-Current Chevy Silverado 1500
(Non-Classic)

F. Adjust the bumper to achieve good visual alignment as follows:

1. Adjust “castor” with mounting bracket bolts.
2. Adjust in/out and up/down with the intermediate mount bolts.

G. Tighten all fasteners; beginning with frame mounts. Then tighten all mount-to-bumper fasteners.

H. Trim inner-fender liners to match bumper if desired.

I. Connect wiring harnesses to lights as shown in wiring diagram.

J. Verify proper operation of lights. Note: Turn indicators should be dim during “running” condition and flash bright for turn.





Installation Instructions
2008 Chevy Winch Bumper
Product Number: H2050-H2052
Application: '07.5-Current Chevy Silverado 1500
(Non-Classic)

VII. Wiring Diagram

Driver Side Turn Indicator at Headlight

OEM (Running) Brown → White Fab Fours
OEM (Turn) Light Blue/White → Red Fab Fours
OEM (Ground) Black → Green Fab Fours

Passenger Side Turn Indicator at Headlight

OEM (Running) Brown → White Fab Fours
OEM (Turn) Blue/White → Red Fab Fours
OEM (Ground) Black → Green Fab Fours

Fog Lamp

OEM (Power) Purple → Red Fab Fours
OEM (Ground) Black → Green Fab Fours





Installation Instructions

2008 Chevy Winch Bumper

Product Number: H2050-H2052

Application: '07.5-Current Chevy Silverado 1500
(Non-Classic)

VIII. Maintenance/Care

- Periodically check and tighten all fasteners.
- Stripped, fractured, or bent bolts or nuts need to be replaced.
- Clean Regularly!

IX. Contact Information

Fab Fours Inc.
10424 Rodney St.
Pineville, NC 28134

Phone (866)-385-1905
Fax (866)-574-1424
Email Support@fabfours.com



More than expected... Better than expected

