

## INSTALLATION INSTRUCTIONS AND PARTS LIST

W2W STAINLESS STEEL & BLACK NERF BARS ON:

2007 AND NEWER CHEVROLET/GMC EXTENDED CAB PICKUPS

APPL: MODEL 450717 BLACK AND MODEL 460717 POLISHED STAINLESS STEEL



1. READ INSTRUCTIONS COMPLETELY AND CHECK TO MAKE SURE THAT ALL REQUIRED PARTS (LISTED ON SERVICE PARTS LIST) ARE ON HAND BEFORE STARTING THE INSTALLATION.

2. NERF BAR TUBE/MOUNTING BRACKET ASSEMBLIES (ITEM #1 & #9) ARE PRE-ASSEMBLED.

2.1. THE FRONT & REAR MOUNTING BRACKETS ON THESE ASSEMBLIES ARE ROTATED TOWARD THE CENTER (INBOARD OF LEGS) FOR SHIPPING PURPOSES. THESE BRACKETS MUST BE ROTATED TO THE VERTICAL POSITION AND THE ½" BOLTS MUST BE TORQUED TO 65 LB. FT.

### NOTE:

DUE TO EXCESSIVE THREAD LOCKER IN THE BODY MOUNT BOLT AREA ON THE 2010+ GM SILVERADO/SIERRA, LUVERNE TRUCK EQUIPMENT RECOMMENDS THE USE OF AN IMPACT WRENCH TO REMOVE THESE BODY MOUNT BOLTS IN ORDER TO REDUCE THE RISK OF CAUSING DAMAGE TO THE THREADED INSERTS INSIDE THE VEHICLE.

3 REMOVE THE FOUR (4) APPLICABLE FACTORY BODY MOUNT BOLTS FROM THE VEHICLE.

3.1 THESE FOUR (4) BOLTS ARE REUSED IN THIS INSTALLATION.

3.2 THE BODY MOUNT STEEL WASHER PLATES WITH RUBBER CUSHIONS ARE REUSED BETWEEN THE BODY MOUNT AND THE NERF BAR MOUNTING BRACKET.

4 ASSEMBLE THE DOUBLE ENDED STUD & FASTENERS TO THE REAR BRACE AS FOLLOWS:

4.1 INSTALL 3/8" SERRATED FLANGE NUTS (ITEM #12) BACKWARDS, TO THE END OF THE THREAD, ON EACH END OF THE DOUBLE ENDED STUD (ITEM #10).

4.2 ON THE SHORT THREADED END OF THE STUD, INSTALL A 3/8" FLAT WASHER (ITEM #13) AND THEN PUSH THE ¼" THICK RUBBER WASHER (ITEM #11) AND FLAT WASHER TIGHT UP AGAINST THE SERRATED FLANGE NUT. **(THE END OF THE DOUBLE ENDED STUD SHOULD BE RECESSED BACK IN THE HOLE OF THE RUBBER WASHER APPROXIMATELY 3/16").**

4.3 INSTALL THE LONG THREADED END OF THE STUD ASSEMBLY THRU THE HOLE IN THE MOUNTING BRACKET AND INSTALL A 3/8" SERRATED FLANGE NUT. (FINGER TIGHT ONLY).

5. POSITION THE NERF BAR ASSEMBLY UP UNDER THE VEHICLE, ATTACH THE FRONT, AND REAR BRACKETS TO THE BODY MOUNTS WITH FACTORY BODY MOUNT BOLTS AS SHOWN.

5.1. TORQUE ALL BODY MOUNT BOLTS TO 65 LB. FT.

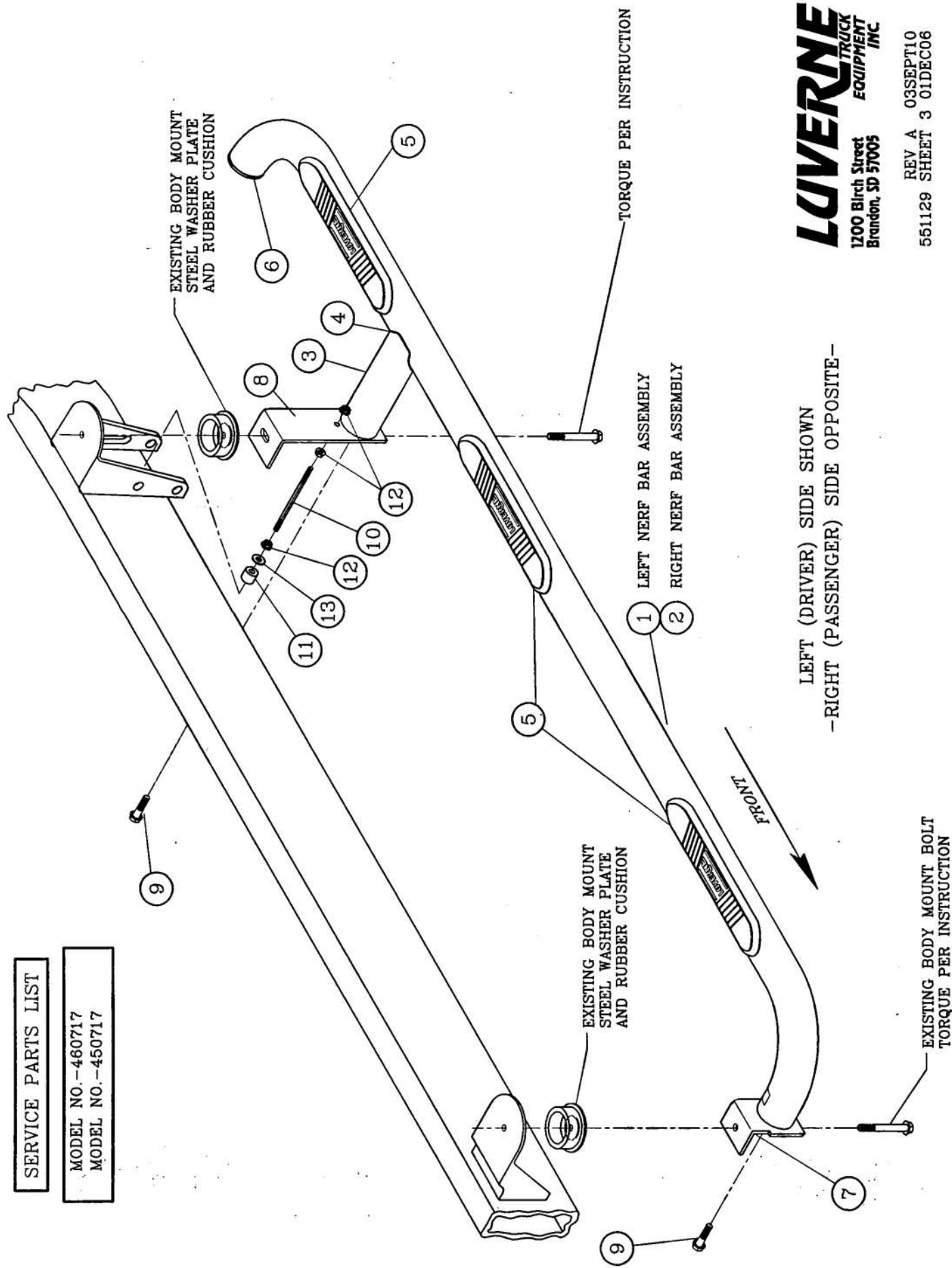
5.2. POSITION THE STUD ASSEMBLIES SO THAT THE RUBBER WASHER IS SNUG UP AGAINST THE SIDE OF THE FRAME. **INSURE THAT THE THREADED STUD WILL NOT MAKE CONTACT WITH THE SIDE OF THE FRAME.** TIGHTEN THE 3/8" SERRATED FLANGE NUTS ON EITHER SIDE OF THE REAR BRACKET FLANGE TO LOCK THE STUD ASSEMBLY IN POSITION.

## SERVICE PARTS LIST

ITEM	PART NO.	QTY	DESCRIPTION
1	551105	1	NERF BAR WLDMT-GM,W2W,LH,POL,C9917SST
2	551106	1	NERF BAR WLDMT-GM,W2W,RH,POL,C9917SST
1	551114	1	NERF BAR WLDMT-GM,W2W,LH,BLK,C9917TB
2	551115	1	NERF BAR WLDMT-GM,W2W,RH,BLK,C9917TB
3	551111	2	SPACER-TUBE,C9917SST
3	551116	2	SPACER-TUBE,C9917STB
4	551112	2	TRIM-SPACER TUBE
5	103950	6	PAD-STEP,NB,BLK,20" LG
6	102500	2	INSR-FNSH,RIBBED,14-18 GA
7	550130	2	BRKT-MTG,FRONT
8	548717	2	BRKT-MTG,REAR
9	104249	4	BOLT-HEX HD CAP,SERR FLG,1/2-13 X 2.00,ZP
10	104687	2	STUD-DOUBLE ENDED,STL,3/8-16 UNC X 7.00",ZP
11	102592	2	WASHER-RUBBER,.354 ID X 1.00 OD X .75 THK
12	100181	6	NUT-SERRATED FLANGE,HEX,3/8-16 UNC,ZP
13	100062	2	WASHER-FLAT,3/8",ZP

**SERVICE PARTS LIST**

MODEL NO. -460717  
 MODEL NO. -450717



**LOVERNE**  
 TRUCK EQUIPMENT  
 INC  
 1200 Birch Street  
 Brandon, SD 57005

REV A 03SEPT10  
 551129 SHEET 3 01DEC06

LEFT (DRIVER) SIDE SHOWN  
 -RIGHT (PASSENGER) SIDE OPPOSITE-