

INSTALLATION INSTRUCTIONS AND PARTS LIST

APPL: MOD 450718 BLACK AND MODEL 460718-POLISHED STAINLESS STEEL
W2W NERF BARS ON:
2007 CHEVROLET/ GMC CREW CAB 5.8 BOXES



1. READ INSTRUCTIONS COMPLETELY AND CHECK TO MAKE SURE THAT ALL REQUIRED PARTS (LISTED ON SERVICE PARTS LIST) ARE ON HAND BEFORE STARTING THE INSTALLATION.
2. NERF BAR TUBE/MOUNTING BRACKET ASSEMBLIES (ITEM #1 THRU #9) ARE PRE-ASSEMBLED.
 - 2.1. THE FRONT & REAR MOUNTING BRACKETS ON THESE ASSEMBLIES ARE ROTATED TOWARD THE CENTER (INBOARD OF LEGS) FOR SHIPPING PURPOSES. THESE BRACKETS MUST BE ROTATED TO THE VERTICAL POSITION AND THE ½" BOLTS MUST BE TORQUED TO 65 LB. FT.

NOTE:

DUE TO EXCESSIVE THREAD LOCKER IN THE BODY MOUNT BOLT AREA ON THE 2010+ GM SILVERADO/SIERRA, LUVERNE TRUCK EQUIPMENT RECOMMENDS THE USE OF AN IMPACT WRENCH TO REMOVE THESE BODY MOUNT BOLTS IN ORDER TO REDUCE THE RISK OF CAUSING DAMAGE TO THE THREADED INSERTS INSIDE THE VEHICLE.

- 3 REMOVE THE FOUR (4) APPLICABLE FACTORY BODY MOUNT BOLTS FROM THE VEHICLE.
 - 3.1 THESE FOUR (4) BOLTS ARE REUSED IN THIS INSTALLATION.
 - 3.2 THE BODY MOUNT STEEL WASHER PLATES WITH RUBBER CUSHIONS ARE REUSED BETWEEN THE BODY MOUNT AND THE NERF BAR MOUNTING BRACKET.
3. POSITION THE NERF BAR ASSEMBLY UP UNDER THE VEHICLE, ATTACH THE FRONT, AND REAR BRACKETS TO THE BODY MOUNTS WITH FACTORY BODY MOUNT BOLTS AS SHOWN.
4. USE THE EXISTING M14-2.00 X 120mm (4-3/4") LONG FACTORY BODY MOUNT BOLT AND ½" FLAT WASHER (ITEM #10).

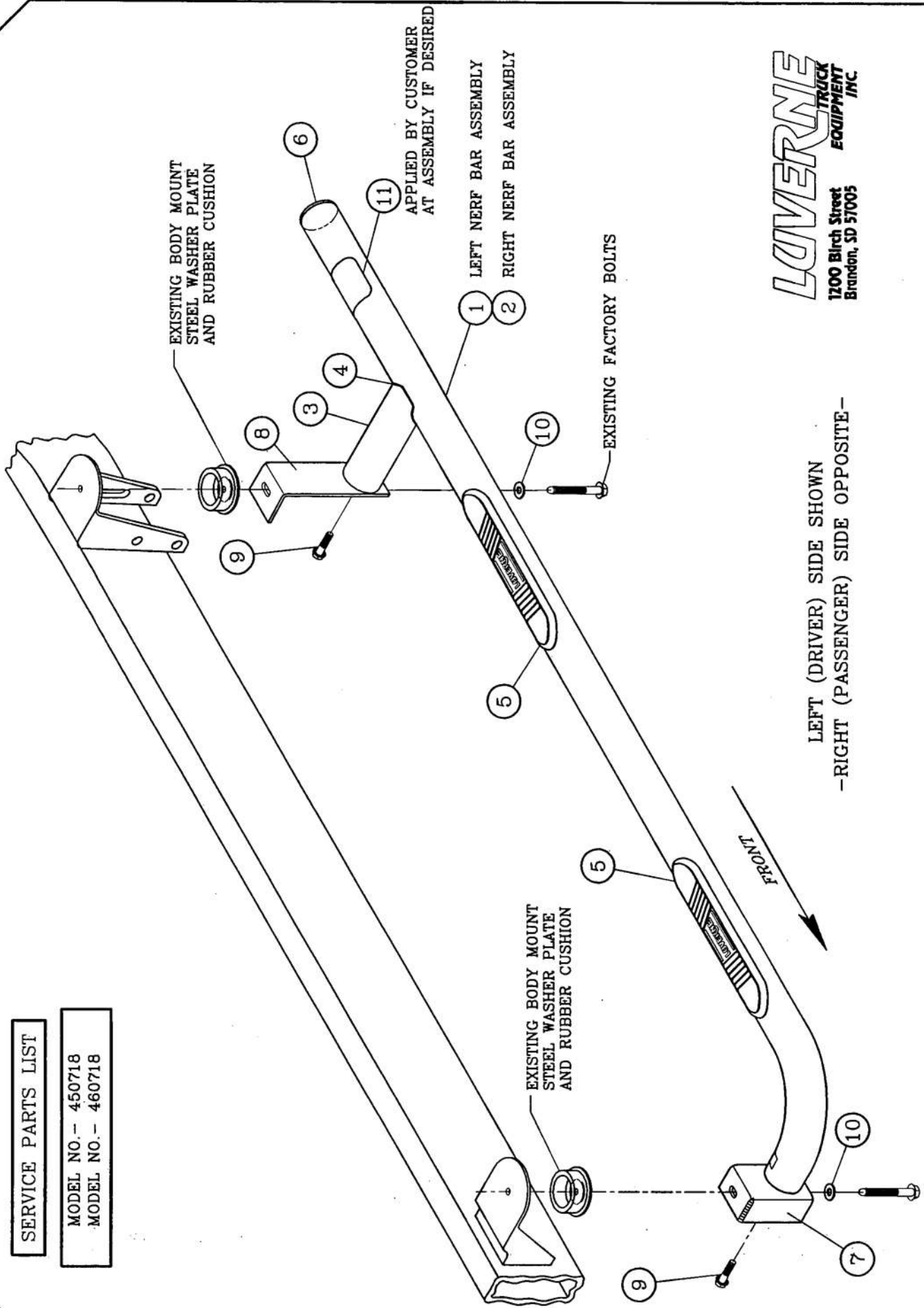
TORQUE ALL BODY MOUNT BOLTS TO 65 LB. FT.

SERVICE PARTS LIST

ITEM	PART NO.	QTY	DESCRIPTION
1	551122	1	NERF BAR WLDMT-W2W,LH,07 GM CREW,CAB BLK,450417
2	551123	1	NERF BAR WLDMT-W2W,RH,07 GM CREW,CAB BLK,450417
1	551124	1	NERF BAR WLDMT-W2W,LH,07 GM CREW,CAB POL,460417
2	551125	1	NERF BAR WLDMT-W2W,RH,07 GM CREW CAB,POL,460417
3	551111	2	SPACER-TUBE,C9917,SST
3	551116	2	SPACER-TUBE,C9917,BLK
4	551112	2	TRIM-SPACER TUBE
5	103950	4	PAD-STEP,NB,BLK,20" LG
6	102500	2	INSR-FNSH,RIBBED,14-18 GA
7	550130	2	BRKT-MTG,FRONT
8	549077	2	BRKT-MTG,REAR
9	104249	4	BOLT-HEX HD CAP,SERR FLG,1/2-13 X 2.00,ZP
10	100118	4	WASHER-FLAT,.562 ID X 1.38 OD X .109 T,ZP
11	106299	2	PAD-TAPE,4.00 X 6.00

SERVICE PARTS LIST

MODEL NO. - 450718
 MODEL NO. - 460718



LOVERNE TRUCK EQUIPMENT INC.
 1200 Birch Street
 Brandon, SD 57005

LEFT (DRIVER) SIDE SHOWN
 -RIGHT (PASSENGER) SIDE OPPOSITE-