

## INSTALLATION INSTRUCTIONS AND PARTS LIST

### FOR MOUNTING ACC3710 SPLASH GUARDS

1. READ INSTRUCTIONS COMPLETELY AND CHECK TO MAKE SURE THAT ALL REQUIRED PARTS (LISTED ON SERVICE PARTS LIST) ARE ON HAND BEFORE STARTING THE INSTALLATION.
2. PEEL AWAY THE PROTECTIVE VINYL COVERING AND CLEAN THE SPLASH GUARD ASSEMBLIES (ITEM #1 & 2) TO REMOVE ANY VINYL COVERING RESIDUE. RUBBING ALCOHOL OR A GOOD GLASS CLEANER IS SUGGESTED.
3. STARTING AT THE BOTTOM OF THE OUTSIDE EDGE OF THE SPLASH GUARD, APPLY THE SPLASH GUARD TRIM (ITEM #3) TO THE EDGE OF THE SPLASH GUARD AS SHOWN. (AT THE BOTTOM, THE TRIM SHOULD BE IN THE NOTCH OF THE NEOPRENE FLAP BEHIND THE WASHER PLATE). INSURE THE TRIM IS FULLY SEATED ALONG THE ENTIRE EDGE, THEN TRIM OFF THE EXCESS IF REQUIRED.
4. ATTACH THE MOUNTING BRACKET (ITEM #4) TO THE SPLASH GUARD WITH A 1/4 X 3/4 CARRIAGE BOLT (ITEM #6) AND 1/4 INCH SERRATED FLANGE NUT (ITEM #7) AS SHOWN. USE THE HOLE IN THE BRACKET THAT ALLOWS THE BEST MATCH BETWEEN THE TOP OF THE SPLASH GUARD AND THE TOP OF THE RUNNING BOARD MUD FLAPS. ALIGN THE GUARD (IN & OUT AND UP & DOWN) AND CLAMP THE SPLASH GUARD ASSEMBLY ON THE WHEEL WELL AND BODY FLANGES.
5. FASTEN THE TOP END OF THE MOUNTING BRACKET TO THE BODY FLANGE ,AS SHOWN IN FIG #1, BY DRILLING A 11/32" DIAMETER HOLE THRU THE BODY FLANGE AND FASTENING WITH A 5/16" X 1.00 " HEX HEAD SCREW (ITEM #8) AND 5/16" SERRATED FLANGE NUT (ITEM #9). ON MOST VEHICLES, THE TOP END OF MOUNTING BRACKET MAY BE LOCATED ON EITHER THE OUTBOARD OR INBOARD SIDE OF THE BODY FLANGE TO BEST SUIT THE INSTALLATION.
6. FASTEN THE SPLASH GUARD TO THE WHEEL WELL FLANGE BY DRILLING THREE 3/16 DIA. HOLES THRU THE SPLASH GUARD AND THE CENTER OF THE WHEEL WELL FLANGE. START THE HOLES APPROX. 1/2" FROM THE TOP AND SPACE EQUALLY. FASTEN WITH 1/4 X 3/4 STAINLESS STEEL HEX WASHER HEAD THREAD FORMING SCREWS (ITEM #5).

NOTE:

1. ITEMS #6 THRU #9 ARE NOT REQUIRED WHEN THIS ASSEMBLY IS USED ON 1994 AND NEWER S & T SERIES CHEV & GMC TRUCKS.

SERVICE PARTS LIST

MODEL NO. - ACC3710

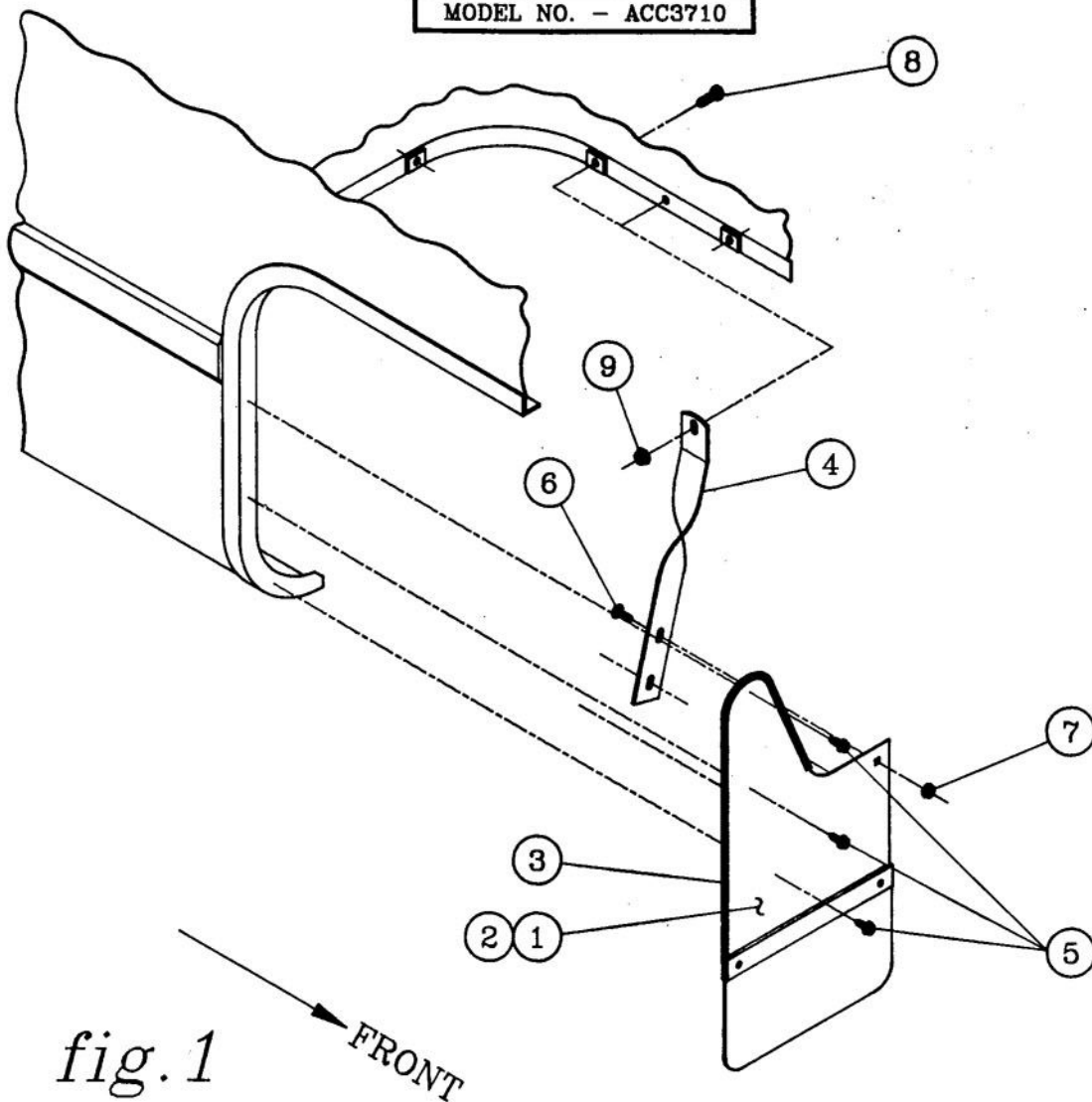


fig. 1

RIGHT SIDE SHOWN

ITEM	PART NO.	QTY	DESCRIPTION
1	547625	1	SPLASH GUARD ASSY- 10.00 IN, RH
2	547626	1	SPLASH GUARD ASSY- 10.00 IN, LH
3	544070	2	TRIM- SPLASH GUARD
4	544060	2	BRACKET- MOUNTING
5	102694	6	SCREW- TF, AB, SST, 1/4 X 3/4
6	100008	2	BOLT- CARRIAGE, 1/4-20 X 3/4
7	100012	2	NUT- SERRATED FLANGE, 1/4-20
8	100647	2	SCREW- HEX HEAD, 5/16-18 X 1
9	100178	2	NUT- SERRATED FLANGE, 5/16-18

**LIVERNE**  
TRUCK  
EQUIPMENT  
INC.

1200 Birch Street  
Brandon, SD 57005

REV: 05/94  
544081 SHEET 2 OF 2 08-86