



**CHEVROLET\GMC  
BLAZER, PICKUP 2WD, 4WD  
BODY LIFT  
INSTALLATION INSTRUCTIONS**

**73-91                                  2" KIT # 502**  
**73-91                                  3" KIT # 503**

**⚠ WARNING**

Installation of a Performance Automotive Group body lift kit will change the vehicle's center of gravity and handling characteristics both on- and off-road. You must drive the vehicle safely! Extreme care must be taken to prevent vehicle rollover or loss of control, which could result in serious injury or death. Avoid sudden sharp turns or abrupt maneuvers and always make sure all vehicle occupants have their seat belts fastened.

**⚠ WARNING**

Before you install this kit, read and understand all instructions, warnings, cautions, and notes in this instruction sheet and in the vehicle owner's manual.

**⚠ CAUTION**

Proper installation of this kit requires knowledge of the factory recommended procedures for removal and installation of original equipment components. We recommend that the factory shop manual and any special tools needed to service your vehicle be on hand during the installation. Installation of this kit without proper knowledge of the factory recommended procedures may affect the performance of these components and the safety of the vehicle. We strongly recommend that a certified mechanic familiar with the installation of similar components install this kit.

**⚠ WARNING**

This kit should only be installed on a vehicle that is in good working condition. Before you install the kit, thoroughly inspect the vehicle for corrosion or deformation of the sheet metal around the factory body mounts. If the vehicle is suspected to have been in a collision or misused, do not install this kit. Off-road use of your vehicle with this kit installed may increase the stress applied to the factory body mounts. We do not recommend that any vehicle with a body lift kit installed be involved in any extreme off-road maneuvers such as jumping. Failure to observe this warning may result in serious personal injury and/or severe damage to your vehicle.

**⚠ WARNING**

Many states and municipalities have laws restricting bumper heights and vehicle lifts. Consult state and local laws to determine if the changes you intend to make to the vehicle comply with the law. Before combining a body lift with a suspension lift, consult an installation professional to see how this will affect the vehicle.

**⚠ WARNING**

The installation of larger tires may reduce the effectiveness of the braking system.

**⚠ WARNING**

Always wear eye protection when operating power tools.

**⚠ WARNING**

Before you install this kit, block the vehicle tires to prevent the vehicle from rolling.

**⚠ WARNING**

Accidental deployment of the air bag can result in serious personal injury or death. To avoid accidental deployment during installation of the kit, the Supplemental Restraint System (SRS, or airbag) must remain deactivated. Do not allow anyone near the airbag during installation. Refer to the factory service manual or owner's manual for the recommended procedure to disable the SRS. After you install the kit, reactivate the SRS before driving the vehicle.

**⚠ NOTE**

Performance Automotive Group recommends using the Loctite® supplied in the kit on the threads of all kit nuts and bolts unless specified otherwise in these instructions.

# Before Starting Installation

## ⚠ NOTE

Kit parts are prefaced by the word **kit** and appear in **bold** print.

1. Carefully read all warnings and instructions completely before beginning.
2. Verify all parts have been received in this kit by checking the parts list at the end of this document.

## ⚠ NOTE

If parts are missing from kit, please be prepared to provide the following information:

1. **Name** of purchase location
  2. **Bar Code** on side of box
  3. **Date** above bar code
  4. **Date** inside box cover
  5. **Inspector #** from inside box cover
3. **Only install this kit on the vehicle for which it is specified.** If anytime during the installation you encounter something different from what is outlined in the instructions, call technical support at (928) 636-7080.
  4. Special tools needed:
    - a. Welder or access to a professional welding shop.
    - b. Hack saw or similar tool capable of cutting metal.
  5. Park the vehicle on a clean, dry, flat, level surface and block the tires so the vehicle cannot roll in either direction.

# Install Kit

## Engine Compartment

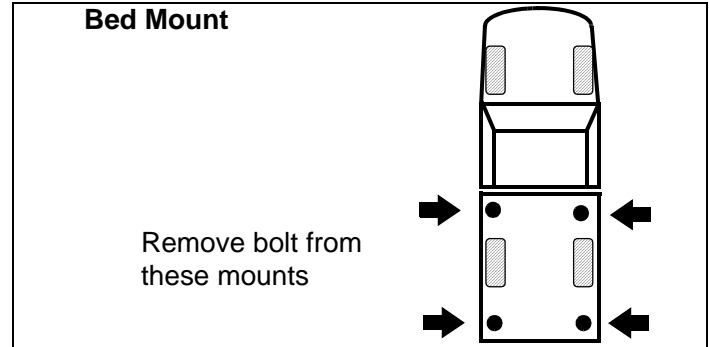
1. Battery cables.
  - a. Disconnect both battery cables. Disconnect negative cable first, then positive cable.

## Front bumper

1. Remove front bumper

## Bed

1. Remove all bed mounting bolts.



2. Check all wires between bed and frame to be sure they have at least 3" of slack.
3. Check gas tank neck if tank is located under bed. Many necks are made of rubber which flexes easily and should not pose problems. If yours should need to be lengthened, simply loosen the holding clamps at either end, and pull out. The remainder are metal necks. Since the necks are quite long, raising the top end 3" should have little effect.

## ⚠ WARNING

Use extreme caution when working near the fuel lines and the fuel tank. Clean up spilled fuel immediately. A spark could cause an explosion or fire resulting in serious personal injury and property damage.

4. Check rear bumper to see if it needs to be removed. If bed can be raised 3" from frame without taking bumper off, do not remove bumper.
5. Jack left side of bed up approximately 2". Double check slack in wiring, hoses, etc.

## ⚠ NOTE

Be sure to use wood blocks on top of jack to protect vehicle

## ⚠ CAUTION

To prevent damage to the vehicle while lifting the bed, continually check hoses, wires, brake lines, etc. to ensure everything is flexing properly and not binding. Ensure clearance between bed and cab is maintained.

### ⚠ WARNING

Use extreme caution when lifting the bed from the frame. To prevent serious personal injury, ensure the lifting device is securely placed. Keep your hands out from between the bed and frame.

6. Continue jacking bed up until all left side blocks can be set in place. Install kit **blocks** on top of frame mounts.
7. Insert longer kit **bed bolts** through bed and kit **blocks**, BUT DO NOT TIGHTEN.
8. Lower bed onto kit **blocks**.
9. Move jack to right side of vehicle and again jack vehicle up about 2".

### ⚠ NOTE

Check all wires, hoses, lines, etc. making sure there is sufficient slack for the 3" lift.

10. Continue jacking bed up until all right side kit **blocks** can be set in place.
11. Insert new longer kit **bolts** through bed and kit **blocks**, BUT DO NOT TIGHTEN.
12. Visually align bed with cab.
13. Tighten all bolts securely.

## Transmission

1. Shift linkage
  - a. **Column shift automatic:** Make sure that vehicle is in park. Separate linkage bar from shift bracket on steering column, then from transmission bracket.
  - b. **Column shift manual:** Make sure that vehicle is in first gear. Detach linkage bars from shift bracket on steering column and from transmission bracket. Detach clutch linkage from the pedal rod, then from the clutch housing.
  - c. **Floor shift manual:** Make sure that vehicle is in first gear. Detach clutch linkage from the pedal rod, then from the clutch housing.

- d. **Floor shift automatic:** Make sure that vehicle is in park. No further work should be necessary.

## Engine Compartment

1. Remove fan and fan shroud.

## Cab

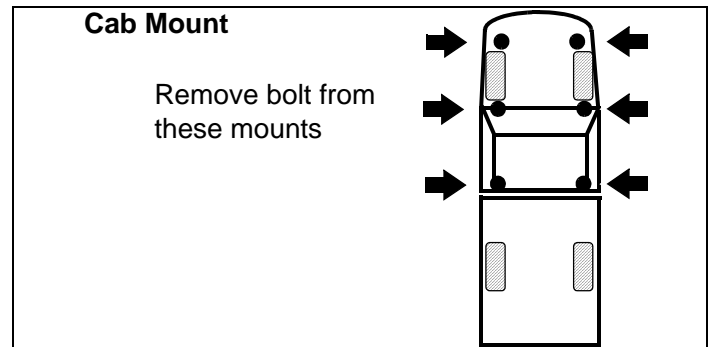
1. Remove all cab mounting bolts (usually 6).

### ⚠ NOTE

Some vehicles where the gas tank is behind the seat may require removal of the tank in order to remove two rear cab mounting bolts.

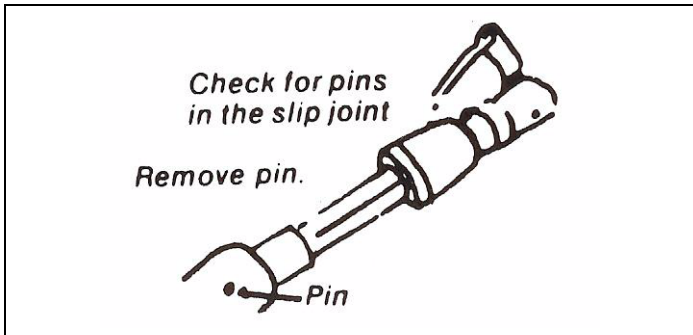
### ⚠ WARNING

Use extreme caution when working near the fuel lines and the fuel tank. Clean up spilled fuel immediately. A spark could cause an explosion or fire resulting in serious personal injury and property damage.

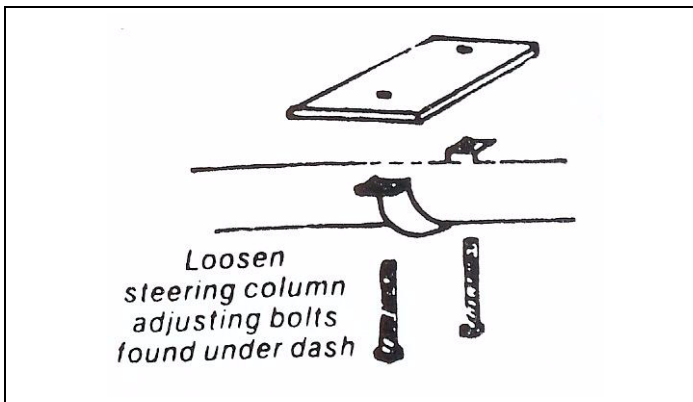


2. At this point the cab and frame should be joined only by flexible components and the gas tank neck, if tank is behind seat.
3. Make the following checks before proceeding:

- a. **Steering column:** Most steering columns have a slip joint. Check the joint to see if the inner and outer sections are pinned together. If they are pinned, knock out pins before proceeding to next step.



- b. If your vehicle has no slip joint, an adjustment is necessary. Loosen adjusting nuts and bolts found on steering column under the dash near the firewall.



- c. **Brake lines, wiring, radiator and A/C hoses, window washer hoses, etc.:** These usually have ample slack in them to allow for raising the vehicle 3". However, they should all be checked prior to and during the lifting process. Inspect wires on firewall and inner fender locations. It may be necessary to relocate the emergency brake cable bracket under the floor board to remove tension from cable.

- d. **Gas tank neck (if in cab):** Many gas tank necks are made of rubber which flexes easily and should not pose problems. If yours should need to be lengthened, simply loosen the holding clamps at either end and pull out. The remainder are metal necks. Since the necks are quite long, raising the top end 3" should have little effect.

**⚠ WARNING**

Use extreme caution when working near the fuel lines and the fuel tank. Clean up spilled fuel immediately. A spark could cause an explosion or fire resulting in serious personal injury and property damage.

4. Jack left side of cab up so that it clears frame by 2". Check wires, hoses, etc. again to determine if there is enough slack for the 3" lift.

**⚠ NOTE**

Be sure to use wood blocks on top of jack to protect vehicle when lifting.

**⚠ WARNING**

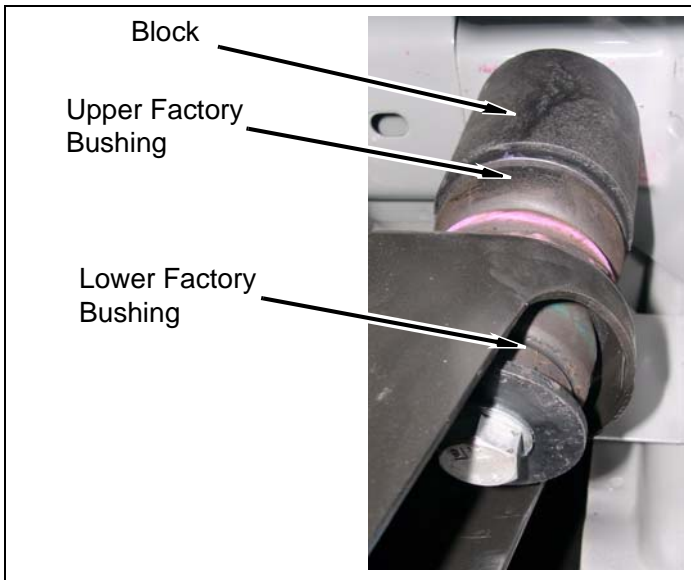
Use extreme caution when lifting body from frame. To prevent serious personal injury, ensure the lifting device is securely placed. Keep your hands out from between the body and frame.

5. Continue jacking cab up until all left side kit **blocks** can be placed between upper bushing and body on each cab mount..

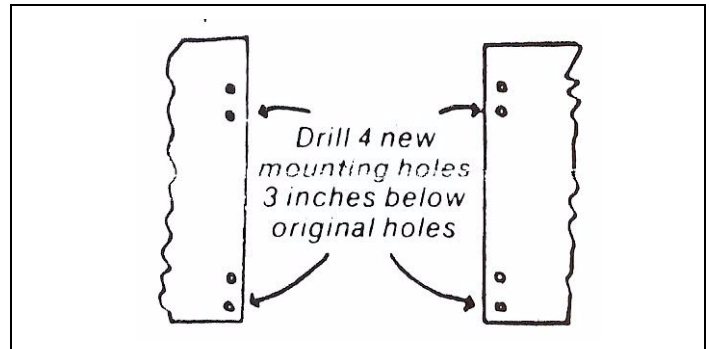
**⚠ WARNING**

The kit **blocks** must be installed in addition to the factory upper and lower bushings. Installing the kit **blocks** without the factory upper and lower bushings could result in damage to the vehicle or serious personal injury.

6. Set kit **blocks** in place.



- c. Drill four new holes 3" below the original mounting holes. Either measure the distance or use the kit **3" drop down bracket** as a template.



7. Insert new longer kit **mounting bolts** through body and kit **blocks**. **DO NOT TIGHTEN**.

- d. Secure radiator in place using original bolts.

8. Lower body onto kit **blocks**.

- e. Remove wood 2x4 support.

9. Move jack to right side of cab and repeat above steps making sure to check all wiring, hoses, etc. as the cab is lifted.

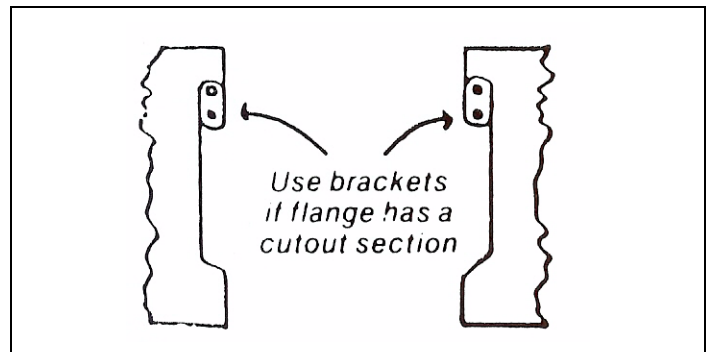
- f. Re-attach fan and fan shroud.

10. Visually align cab with bed. When positioning cab prior to tightening kit **bolts**, move cab back as far as possible to allow for proper clearance between fire-wall and engine.

**NOTE**

Some vehicle chassis flanges have cutouts that prohibit drilling lower holes. In these cases use the 3" brackets provided to secure the radiator in place.

11. Remove each kit **bolt** one at a time and place a drop of Loctite on the threads. Re-install each bolt and **TIGHTEN SECURELY**.



12. Inspect the vehicle making sure that all wires, hoses, lines are not pinched, crimped, or bent improperly. Make sure all bed and cab mounting bolts have been tightened.

- g. **Pick-ups 1980 and newer:**

- h. Cut the bottom half off the shroud and discard.

- i. Secure top half of shroud with original bolts.

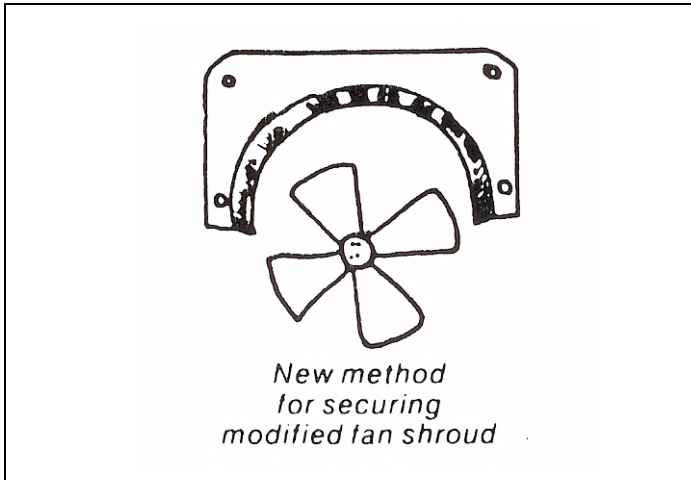
## Engine Compartment

1. Radiator, fan, and fan shroud.

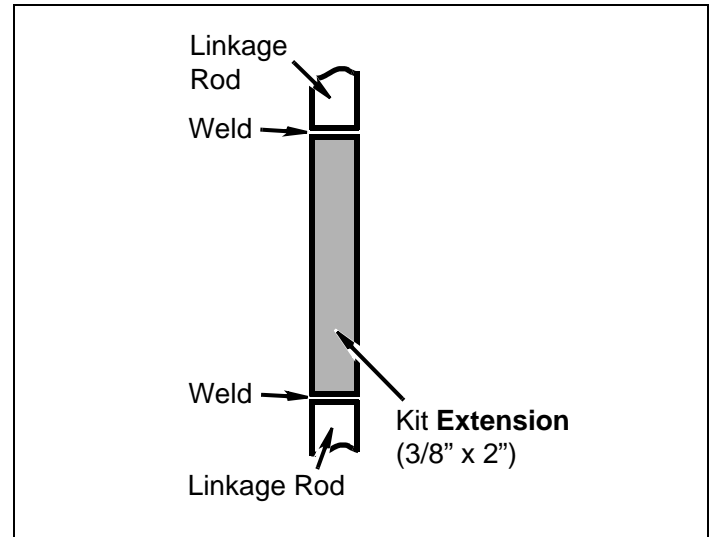
- a. **Pick-ups 1979 and before:** Place a 2 x 4 across frame members below radiator.

- b. Remove four bolts holding radiator in place. Set radiator on 2x4.

- j. Take shroud clips from packet and secure sides on shroud.



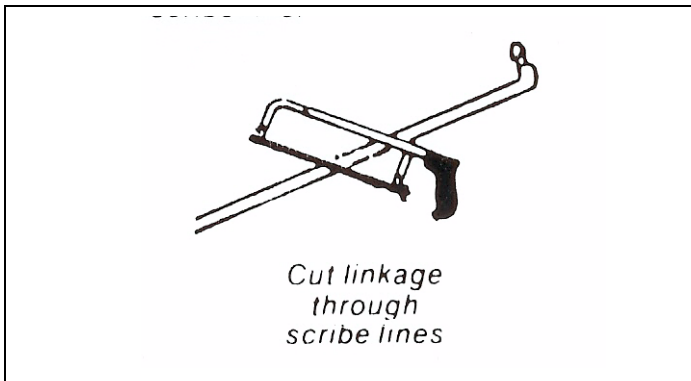
2. Line up scribe lines on all three pieces and weld together. We recommend that all welding be done by a certified welder.



- a. Grind and paint the welds.
- b. Re-attach linkage, top first, then bottom.

## Transmission

1. Shift linkage
  - a. Scribe line on straight part of linkage.
  - b. Cut linkage in half through scribe line.



- c. Scribe line down middle of kit **linkage extender**.

## Steering

1. Steering column.
  - a. Adjust steering column under dash. Since the steering column nuts and bolts were loosened, the steering column should have automatically dropped and pulled forward slightly (about 3/4"). To double check this, pull column toward firewall then tighten bolts.
  - b. Check steering from left to right to insure that it feels normal.
  - c. On some vehicles it may be necessary for floor board to be cut below the steering column to drop down to a more natural position. In this event it is necessary to drill new holes in the floor board to re-attach the steering column.

## Engine Compartment

1. Battery cables.
  - a. Connect both battery cables. Connect positive cable first, then negative cable.

# After Completing Installation

## Inside Cab

1. Put back seats.

## Miscellaneous

1. Apply kit **label** (warning) to dashboard in plain sight of all vehicle occupants.
2. Check all fasteners to ensure they are tight.
3. Ensure all wires, hoses, cables, etc. are properly connected and there is ample slack.
4. Only parts left in box should be old body bolts.
5. Be sure that fan has ample clearance from shroud and hoses.
6. Start engine and check steering from left to right to make sure there is no binding.

## Dynamic Vehicle Check

1. Test-drive vehicle. Check operation of clutch, brake system, and parking brake. Check operation of transmission and transfer case. Ensure there is full engagement in all gears and 4WD ranges. Check battery connections and electrical component operations.
2. If shift lever does not engage in all gears, it may be necessary to perform the following modifications:
  - a. Shift lever needs to be bent slightly toward the driver.
  - b. If lever hits at either front or back edge of boot housing make correction in the following manner.
  - c. Remove boot and boot bracket.

- d. Cut 1" from front and 1" from back of boot bracket. Re-install boot and two boot bracket halves.



### ⚠WARNING

Retorque all fasteners after 500 miles and after off road use. All body lift components should be visually inspected and fasteners retorqued during routine vehicle servicing.

### ⚠CAUTION

Performance Automotive Group does not recommend any particular wheel and tire combinations for use with its body lifts and cannot assume responsibility for the customer's choice of wheels and tires. Refer to your owner's manual for recommended tire sizes and warnings related to the use of oversized tires. Larger wheel and tire combinations increase stress and wear on steering and suspension components, which leads to increased maintenance and higher risk for component failure. Larger wheel and tire combinations also alter speedometer calibration, braking effectiveness, center of gravity, and handling characteristics. Consult an experienced local off road shop to find what wheel and tire combinations work best with your vehicle.

### ⚠NOTE

All warranty information, instruction sheets, and other documents regarding the installation of this product must be retained by the vehicle owner. Information contained in the instructions and on the warranty card will be required for any warranty claims. The vehicle owner needs to understand the modifications made to the vehicle and how they affect vehicle handling and performance. Failure to provide the customer with this information can result in damage to the vehicle and severe personal injury.

Rev. 2 Copyright **04/05**

Performance Automotive Group

# Kit Parts List

Qty. Description

## Kit 502

1 **Loctite**  
10 **Block, Big**  
1 **Label, Logo**  
1 **Label, Warning**  
6 **Bolt, 1/2" x 5 1/2"**  
2 **Bolt, 1/2" x 6 1/2"**  
2 **Bolt, 1/2" x 7"**  
10 **Nut, 1/2" Nylock**  
14 **Washer, 1/2"**  
1 **Extension, Shift Pin 3/8" x 2"**

## Kit 503

1 **Loctite**  
10 **Block, Big**  
1 **Label, Logo**  
1 **Label, Warning**  
6 **Bolt, 1/2" x 6 1/2"**  
2 **Bolt, 1/2" x 7 1/2"**  
2 **Bolt, 1/2" x 8"**  
10 **Nut, 1/2" Nylock**  
14 **Washer, 1/2"**  
1 **Extension, Shift Pin 3/8" x 3"**

### **△ NOTE**

Depending on the vehicle configuration (automatic or manual transmission, 2WD or 4WD, cab length, bed length, etc.), some parts may not be used.