

Instruction sheet for set # 3.4130 / 3.4131

82-01 Chevy S-10 / GMC S-15 2WD

STD and Extended Cab pickup



1131 VIA CALLEJON, SAN CLEMENTE, CA 92673

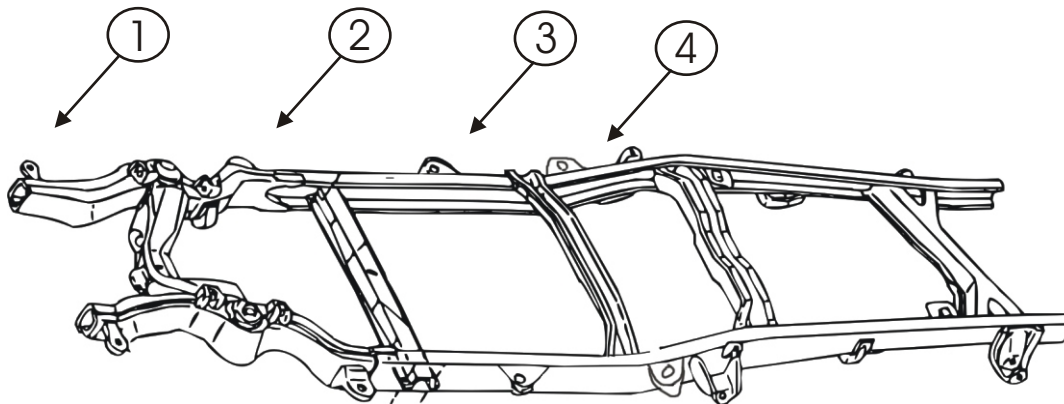
© 2002 Energy Suspension. All rights reserved.
May not be reproduced, in any form, or by any means,
without the written consent of Energy Suspension.

Note: It is recommended that this set be professionally installed if you are unfamiliar with this type of work, and a factory service manual be purchased prior to performing any work on your vehicle for proper disassembly, reassembly and torque specs. These instructions are intended for bushing removal and install of Energy Suspension polyurethane bushings, once you have removed the factory component from your vehicle.

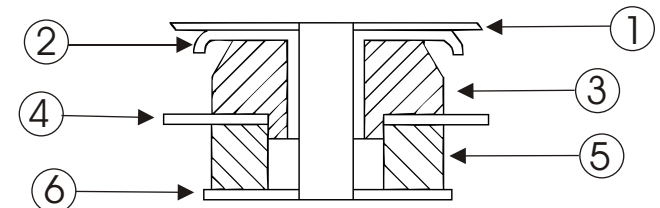
NOTE: When disassembling the body mounts, be sure to note the number and position of shims that may have been used to align the body. These shims will have to be reused to retain proper body alignment.

CAUTION: Remove all the body mount bolts on one side of the vehicle. Loosen but do not remove all the body mount bolts on the opposite side of the vehicle. Only raise one side of the vehicle at a time, lifting the body only high enough to remove/replace the mounts. Always watch the fan shroud, brake lines, and various hoses for sufficient clearance when raising the body. When jacking the body, use a 2x4 or equivalent to spread the weight. Never place jack faces directly on body panels! When all mounts and hardware are installed, torque all bolts to factory specifications.

Updated 27/DEC/02 BRH
17045



Parts Diagram



Must reuse original hardware

Position # 1 & 2

1. Body.
2. Factory sleeve.
3. 4067 upper bushing.
4. Frame.
5. 4068 lower bushing.
6. Factory washer.

Position #3

1. Body.
2. Factory washer.
3. 4085 Top bushing.
4. Frame.
5. 4068 Lower bushing.
6. Factory washer.

Position # 4

Extended Cab Only.

1. Body.
2. Factory washer.
3. 4085 Top bushing.
4. Frame.
5. 4068 Lower bushing.
6. Factory washer.