



INSTALLATION INSTRUCTIONS

SIDE BAR PART #204009/204009-2
1999 - 2011 CHEVROLET SILVERADO
-GMC SIERRA EXTENDED CAB 2/4WD

PARTS LIST

(2) SIDE TUBES WITH STEPS	(8) 12MM FLAT WASHERS
(2) FRONT MOUNT BRACKETS (SHORT)	(8) 12MM SPLIT LOCK WASHERS
(2) REAR MOUNT BRACKETS	(4) 10MM x 25MM HEX HEAD BOLTS
(2) MOUNT BRACES	(8) 10MM FLAT WASHERS
(4) M12 – 1.75 x 120mm HEX HEAD BOLTS	(4) 10MM HEX NUTS
(4) 12MM X 50MM HEX HEAD BOLTS	(4) 10MM LOCK WASHERS

PROCEDURE

1. Begin installation by working on driver side of the vehicle (see Figures 1.1 – 1.3).
2. From underneath truck, loosen and remove body mount bolts that run upward through mounts into floorboard. Attach and secure Front Mount Bracket to underside of vehicles front body mount (see Figure 1.2) with (1) M12 – 1.75 x 120mm bolt, (1) 12mm split lock washer, and (1) 12mm flat washer. Hand Tighten.
3. Attach and secure Rear Mount Bracket to underside of vehicles rear body mount in same manner as the front.
4. Fasten Mount Brace to Rear Mount Bracket and vehicles rear body mount using (1) 10mm x 25mm bolt, (2) 10mm flat washers, 10mm split washer and (1) 10mm hex nut, for each side of Mount Brace (see Figure 1.3). Hand tighten.
5. Attach Side Tube to Front and Rear Brackets using (1) 12mm x 50mm hex head bolt, (1) 12mm split lock washer, and (1) 12mm flat washer for each bracket, and hand tighten. Adjust Side Tube so that it is level and centered, and tighten all bolts to complete the driver-side assembly.
6. Repeat process for passenger side of vehicle to complete installation.

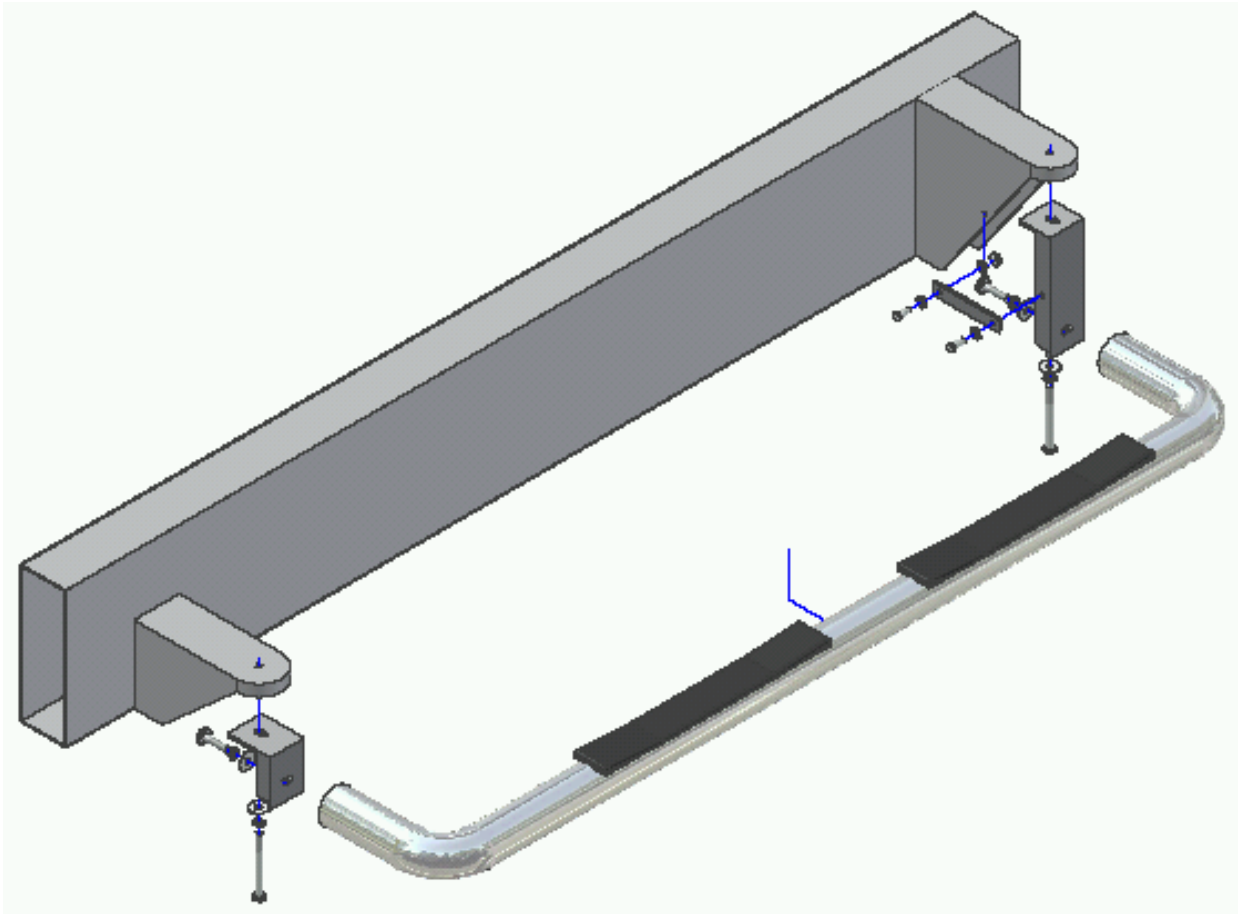


Figure 1.1 – Full Assembly View

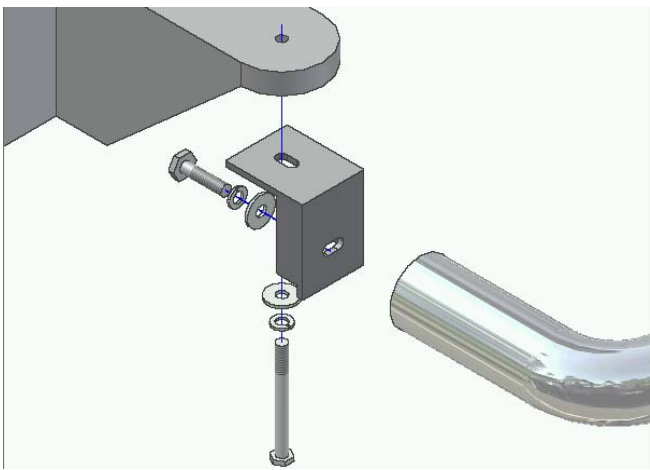


Figure 1.2 – Front Bracket

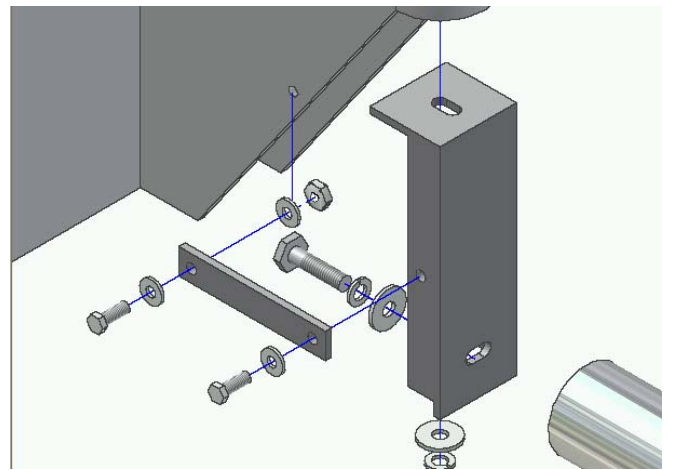


Figure 1.3 – Rear Bracket