

INSTALLATION INSTRUCTIONS

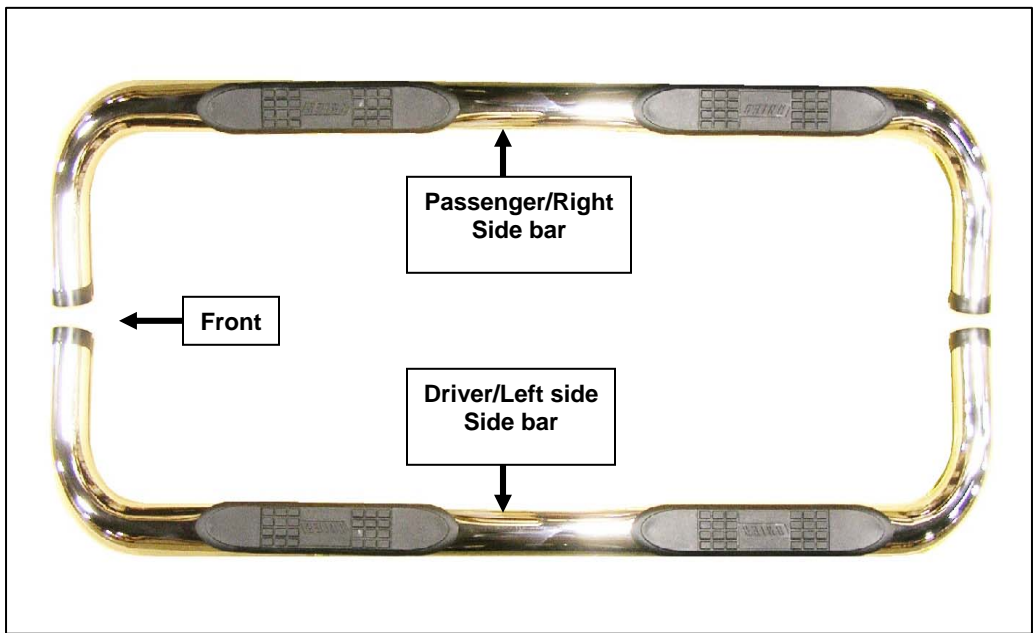
205008 / 205008-2

2002-08 DODGE RAM P/U QUAD CAB 1500
2002-09 DODGE RAM P/U QUAD CAB 2500/3500

PARTS LIST:

Qty	Description	Qty	Description
1	Driver/Left Side Bar	6	10mm Flat Washer
1	Passenger/Right Side Bar	4	10mm Lock Washer
1	Driver/Left Front Mounting Bracket	4	10mm Hex Nut
1	Passenger/Right Front Mounting Bracket	2	10mm x 30mm Hex Bolt
1	Driver/Left Rear Mounting Bracket	4	12mm x 120mm Hex Bolt
1	Passenger/ Rear Mounting Brace Bracket	4	12mm x 44 OD Flat Washer
1	Driver/Left Front Brace Bracket 02-2010 1500 Quad Cab	8	12mm Lock Washer
1	Passenger/ Front Brace Bracket 02-2010 1500 Quad Cab	4	12mm x 60mm Hex Bolt
1	Driver/Left Front Brace Bracket 02-2005 2500/3500 Quad Cab	4	12mm x 37 OD Flat Washer
1	Passenger/ Front Brace Bracket 02-2005 2500/3500 Quad Cab	2	10mm x 35mm Bolt Plate
1	Driver/Left Front Brace Bracket 06-2010 2500/3500 Quad Cab		
1	Passenger/ Front Brace Bracket 06-2010 2500/3500 Quad Cab		

Passenger/Driver Rear Mounting Brackets



Passenger/Driver Front Mounting Brackets



Passenger/Driver Front Brace Brackets 2002-08 1500 Quad Cab



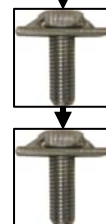
Use these mounting holes for 2002-081500 Quad Cab

Passenger/Driver Front Brace Brackets 2002-05 2500/3500 Quad Cab



Passenger/Driver Front Brace Brackets 2006-09 2500/3500 Quad Cab

Bolt Plate x 2 10mm x 35mm



PROCEDURE:

- 1. REMOVE CONTENTS FROM BOX. VERIFY ALL PARTS ARE PRESENT. READ INSTRUCTIONS CAREFULLY BEFORE STARTING INSTALLATION.**
(Note depending on your vehicles year & model your mounting kit may include brackets not needed, discard these if not used).
2. Begin installation by working on driver side of the vehicle (refer to Figures 1. 1- 1.5)
3. From underneath truck, loosen and remove body mount bolts that run upward through mounts into floorboard. Attach and secure Front Mount Bracket to underside of vehicles front body mount (see Figure 1.3), re-using isolator, but replacing factory bolt with (1) M12 – 1.75 x 120mm bolt, (1) 12mm lock washer, and (1) 12mm flat washer. Snug but do not tighten hardware at this time.
4. Attach and secure Rear Mount Bracket to underside of vehicles rear body mount in same manner as the front.
5. Next, select the Bolt Plate from the list of parts above, and place the Bolt Plate into the opening on the bottom front frame rail
6. **1500 Series Ram 2002-08** select brackets from parts list above, (discard 2500/3500 brace brackets not needed). Secure Brace Bracket to Bolt Plate with (1) 10mm flat washer, (1) 10mm lock washer and (1) 10mm nut. (Fig 1.2) Snug but do not tighten hardware at this time. Note: The slot on the short arm of the bracket should now line up with the mounting bracket slot.
7. **2500/3500 Series Ram 2002-05** select brackets from parts list above, (discard 1500 & 2006-09. 2500/3500 brace brackets not needed). (see Figure 1.1) Attach Brace Bracket to side of mount bracket using (1) 10mm x 30mm bolt, (2) 10mm flat washers, (1) 10mm lock washer and (1) 10mm nut, (see Fig 1.5) secure Bolt Plate to bracket with (1) 10mm flat washer, (1) 10mm lock washer and (1) 10mm nut. Snug but do not tighten hardware at this time.
8. **2500/3500 Series Ram 2006-09** select brackets from parts list above, (discard 1500 & 2002-05. 2500/3500 brace brackets Note: that this is the shorter set of brackets). Follow the remaining steps from#7 above.
9. Attach Driver/Left sidebar to Front and Rear Brackets using (1) 12mm x 60mm hex bolt, (1) 12mm lock washer and (1) 12mm flat washer for each bracket and hand tighten.
10. Level and align Sidebar properly; once complete torque all M12 bolts first to 65 ft-lbs and then tighten all remaining fasteners to complete the Driver/Left side assembly.
11. Repeat steps 3-10 for Passenger/Right Sidebar.
12. Do periodic inspections to the installation to make sure all hardware is secure and tight.

To protect your investment, wax this product after installing. Regular waxing is recommended to add a protective layer over the finish. Do not use any type of polish or wax that may contain abrasives that could damage the finish.

For stainless steel: Aluminum polish may be used to polish small scratches and scuffs on the finish. Mild soap may be used also to clean the Sidebar.

For gloss black finishes: Mild soap may be used to clean the Sidebar.

DRIVER/LEFT SIDE INSTALLATION PICTURED



Figure 1.1 –
1500 Front Brace



Figure 1.2
2500/3500 Front Brace



Figure 1.2B
2500/3500 Front Brace

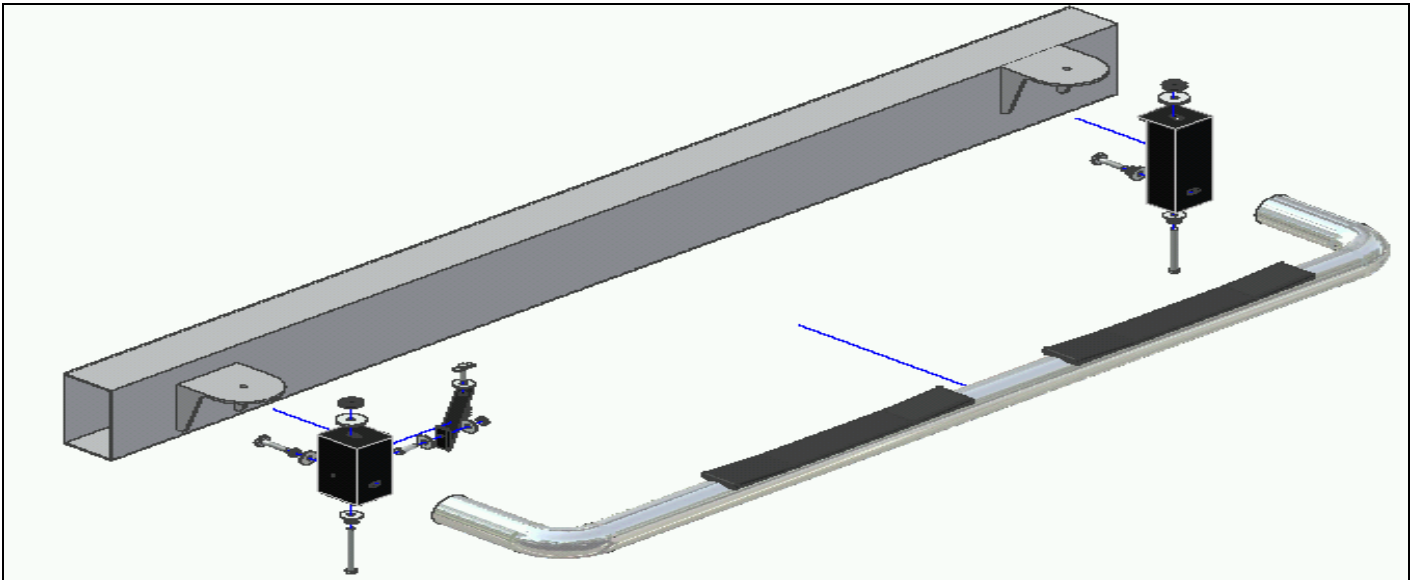


Figure 1.3 –Driver-Side Front Assembly View (2500/3500 Series set-up shown)

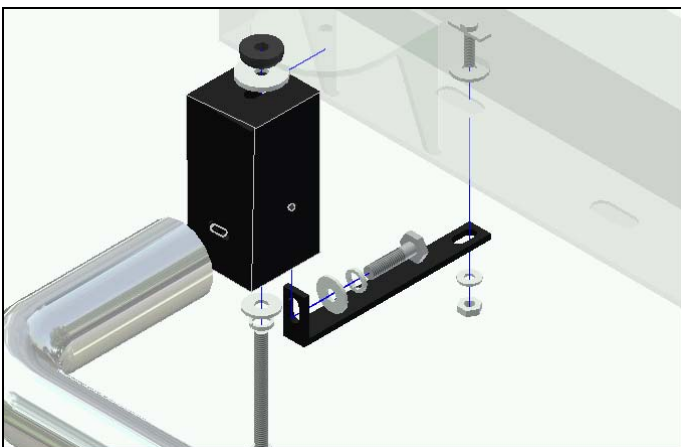


Figure 1.4 – 1500 Front Mount Assembly

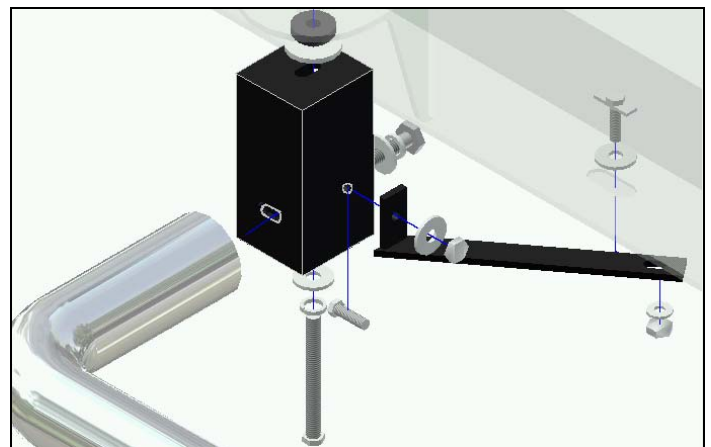


Figure 1.5 – 2500/3500 Front Mount Assembly