



Installation Instructions

Ford Winch Bumper

Product Number: A1650-A1652

Application: '99-'04 Ford Super Duty

SAFETY

Your safety and the safety of others is very important.

- In order to help you make informed decisions about safety, we have provided installation instructions and other information.
- These instructions alert you to potential hazards that could hurt you or others.
- Please do a job safety analysis (JSA) before each task to identify potential hazards for your situation and remove/protect against them.
- You must use your own good judgment, and take your time.

Read and understand all safety precautions and instructions before installing this product.

THIS PRODUCT IS FOR OFFROAD USE ONLY. ALL LIABILITY FOR INSTALLATION AND USE RESTS WITH THE OWNER.

CARELESS INSTALLATION AND OPERATION CAN RESULT IN SERIOUS INJURY OR EQUIPMENT DAMAGE.

Injury hazard

Failure to observe these instructions could lead to severe injury or death.

- Always** remove jewelry and wear eye protection.
- Always** use extreme caution when jacking up a vehicle for work. Set emergency brake and use tire blocks. Locate and use the vehicle manufacturers designated lifting points. Use jack stands.
- Always** use appropriate and adequate care in lifting components into place.
- Always** insure components will remain secure during installation and operation.
- Always** wear safety glasses when installing this kit. A drilling operation will cause flying metal chips. Flying chips can cause serious eye injury.
- Always** use extreme caution when drilling on a vehicle. Thoroughly inspect the area to be drilled (on both sides of material) prior to drilling, and relocate any objects that may be damaged.
- Always** use extreme caution when cutting and trimming during fitting.
- Always** tighten all nuts and bolts securely per installation instructions.
- Always** route electrical cables carefully. Avoid moving parts, components that become hot and rough or sharp edges.
- Always** insulate and protect all exposed wiring and electrical terminals.
- Always** perform regular inspections and maintenance on mounts and related hardware.





Installation Instructions

Ford Winch Bumper

Product Number: A1650-A1652

Application: '99-'04 Ford Super Duty

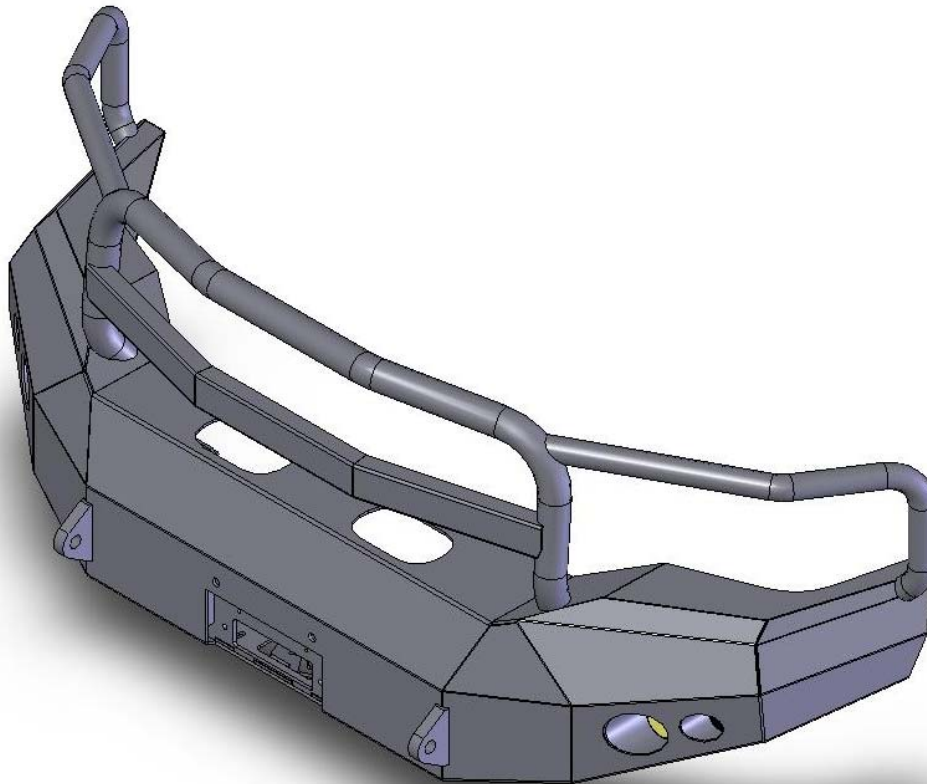
I. Overview

Congratulations on your purchase of the industries' best and most stylish Ford Winch Bumper! This bumper has been **engineered** for strength while keeping the weight down. It can accept the Warn 16.5 winch... and look cool doing it.

This product has also been **engineered** to allow alignment in three directions plus "castor" so you will end up with a very professional fit.

Your bumper was designed in 3-D from digitized data, CNC laser cut, fabricated, and powder coated... all in the U.S.A.

Enjoy the fit and finish of a quality Ford Winch Bumper from Fab Fours Inc!





Installation Instructions

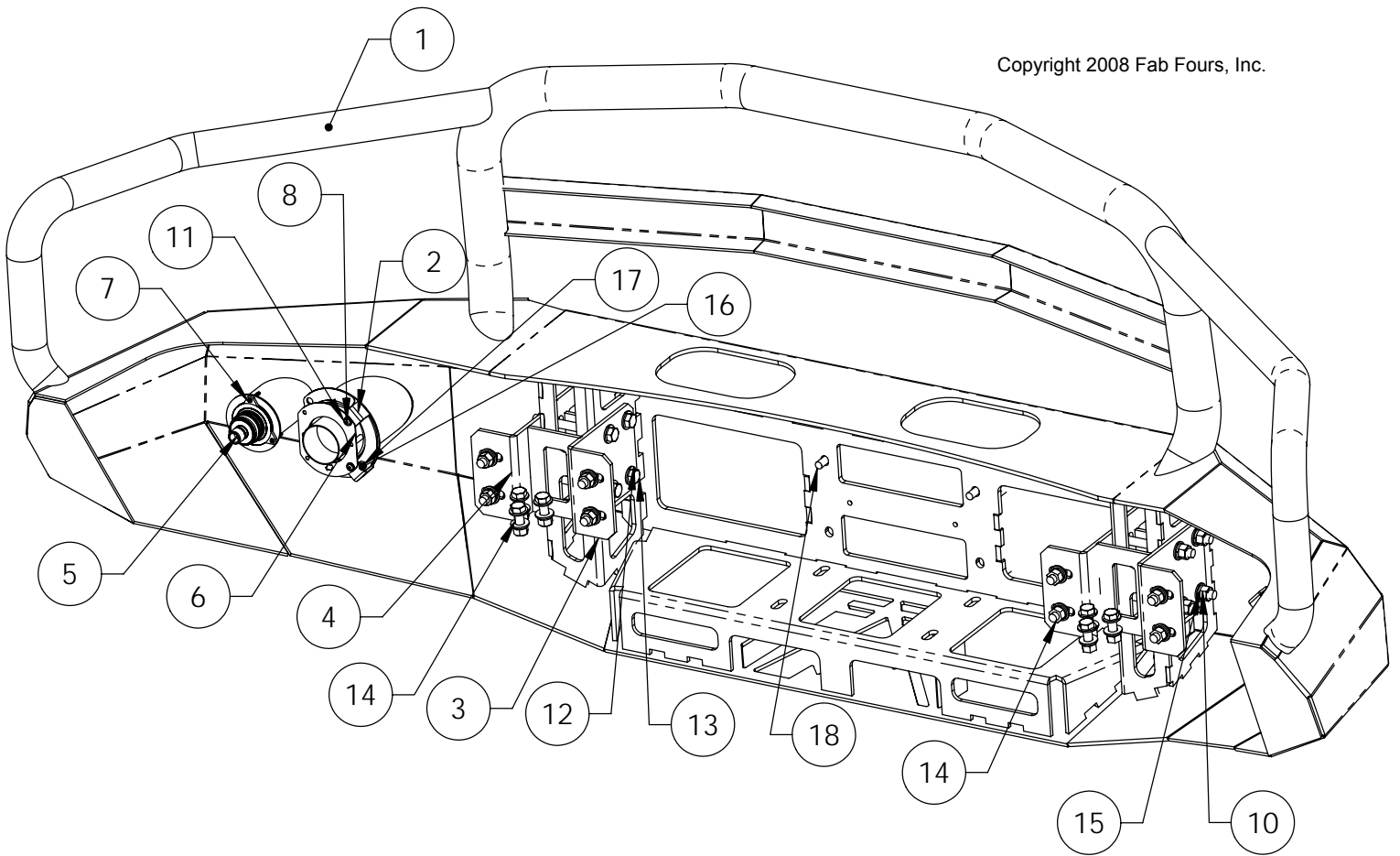
Ford Winch Bumper

Product Number: A1650-A1652

Application: '99-'04 Ford Super Duty

II. Parts List





ITEM NO.	DESCRIPTION	A1650/QTY.
1	FS04-A FRONT WINCH BUMPER WELDMENT	1
2	90mm Fog Light Adapter Bracket	2
3	FS04-A Mounting Bracket Assy	2
4	FS04-A Mounting Bracket	2
5	60mm Turn Indicator	2
6	90mm Fog Light Assy	2
7	#8-18 x 1" lg. Self Tapping Screw	6
8	#10 -32 UNF THREAD x 1/2" LENGTH BUTTON HEAD SOCKET CAP SCREW	4
9	#10-32 THREAD HEX NUT	4
10	1/2" -13 THREAD HEX NUT	22
11	#10 SCREW DIA, SAE STANDARD FLAT WASHER	8
12	1/2" SCREW DIA, SAE STANDARD FLAT WASHER	44
13	1/2 -13 UNC THREAD x 5" LENGTH HEX HEAD CAP SCREW	8
14	1/2 -13 UNC THREAD x 1 1/2" LENGTH HEX HEAD CAP SCREW	14
15	1/2 SCREW DIA REGULAR SPRING LOCK WASHER	22
16	1/4 -20 UNC THREAD x 1/2" LENGTH BUTTON HEAD SOCKET CAP SCREW	4
17	1/4" -20 THREAD HEX NUT	4
18	0.4375 -14 UNC THREAD x 1" LENGTH SOCKET HEAD CAP SCREW	2



Installation Instructions

Ford Winch Bumper

Product Number: A1650-A1652

Application: '99-'04 Ford Super Duty

III. Tools Required

- Socket Wrench With Extension
- 5/32" Allen Wrench
- 1/8" Allen Wrench
- 18mm Socket
- 3/4" Socket
- 3/4" Open End Wrench
- 7/16" Open End Wrench
- 3/8" Open End Wrench
- 7/32" Socket
- Phillips Screwdriver
- Hammer
- Tin Snips

IV. Vehicle Preparation

- A) Disconnect OEM fog lamp connectors, zip tie harness to frame.
- B) Remove fasteners holding OEM bumper to chassis. Repeat for other side.

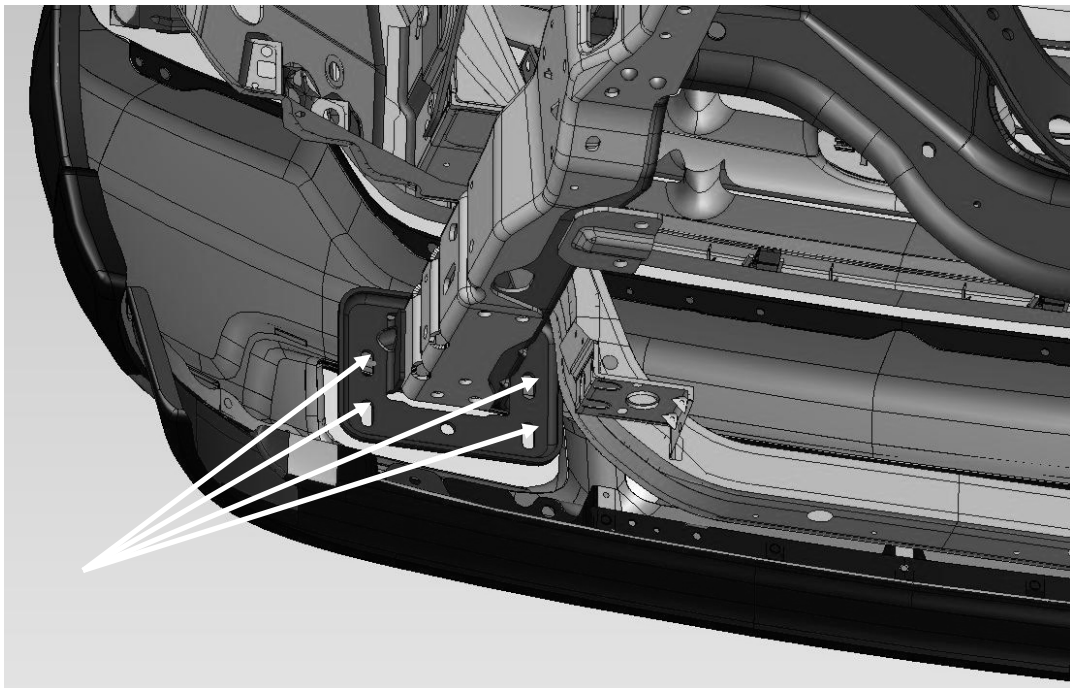


Figure 1





Installation Instructions

Ford Winch Bumper

Product Number: A1650-A1652

Application: '99-'04 Ford Super Duty

- C) Remove OEM bumper assembly.



Figure 2

- D) Remove OEM tow hooks.
- E) Install bolts (with washers and nuts) through tow hook frame holes as shown. Tighten fully. Repeat for other side.

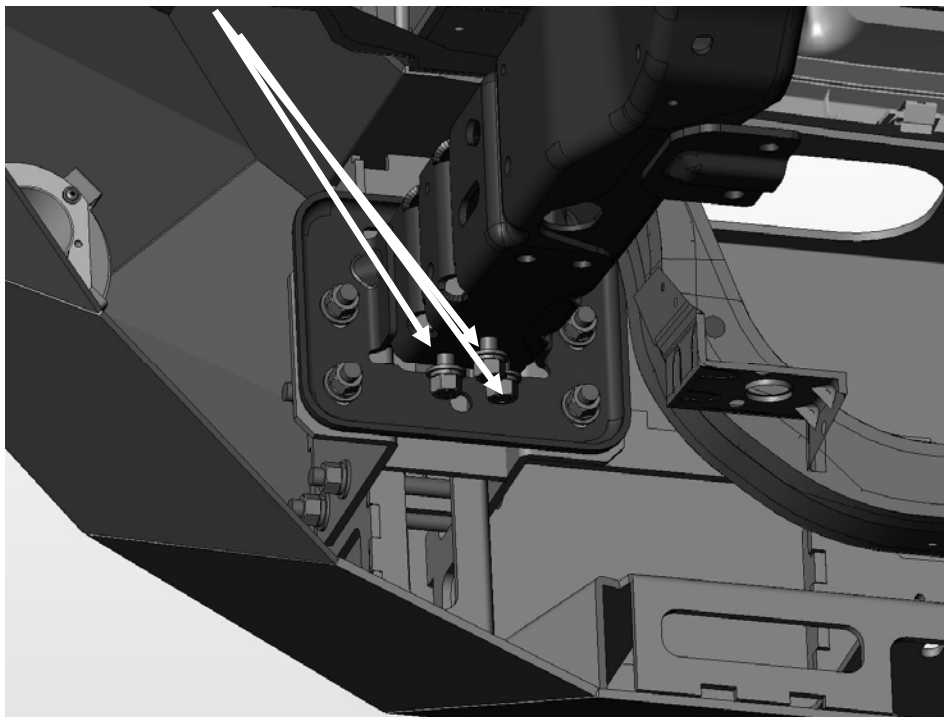


Figure 3





Installation Instructions

Ford Winch Bumper

Product Number: A1650-A1652

Application: '99-'04 Ford Super Duty

V. Lights and wiring installation

- ❑ A) Remove headlights and loosen grill by removing 7/32 socket bolts (12x). On each side, tap into the three turn indicator wires using supplied tap connectors (reference the wiring diagram).
- ❑ B) Connect supplied turn indicator wiring harnesses to tap connectors following wiring diagram; repeat for other side.
- ❑ C) Replace headlights and grill in reverse order of removal.
- ❑ D) Tap into OEM fog light harness following wiring diagram using two supplied tap connectors.
- ❑ E) Connect supplied fog lamp wiring harness to tap connectors following wiring diagram.
- ❑ F) Run passenger side fog lamp supply wires across bottom of bumper and tap into Fab Fours driver side fog lamp wires
- ❑ G) Install turn indicators into outside bumper light pockets using three #8-18 self-tapping screws per side.

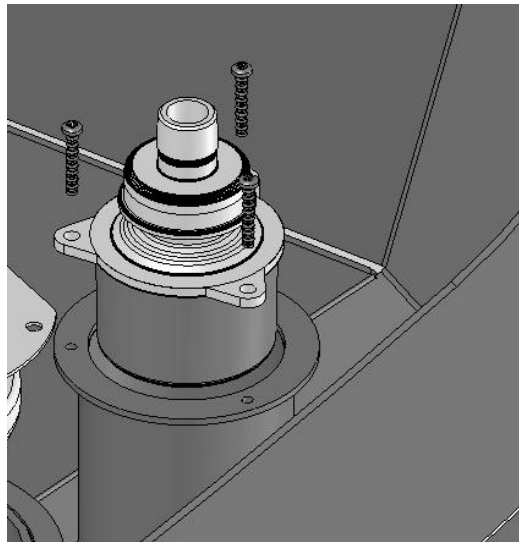


Figure 4





Installation Instructions

Ford Winch Bumper

Product Number: A1650-A1652

Application: '99-'04 Ford Super Duty

- H) Install fog lamp brackets onto inner light pockets using two ¼" button head socket cap screws and nuts per side. Attach running light to bracket as shown using two #10-32 button head socket cap screws, washers, and nuts per side. Verify proper alignment of lights before fully tightening. **Note:** Adjuster screw should be on bottom side of light.

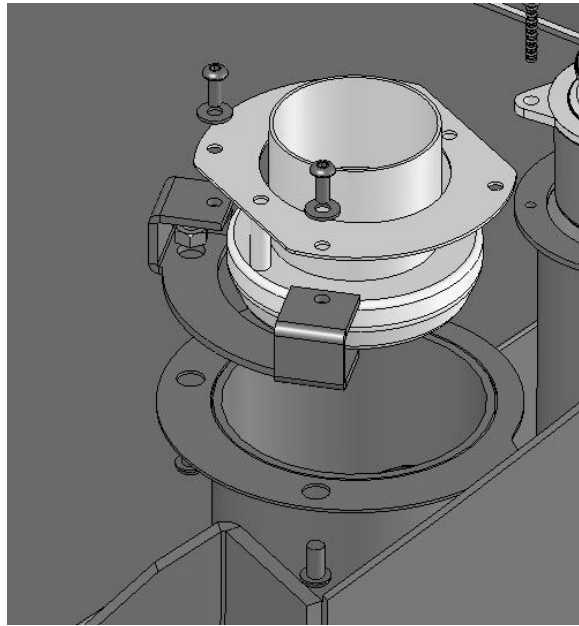


Figure 5

- I) Do not connect wiring harnesses to lights until bumper is installed.





Installation Instructions

Ford Winch Bumper

Product Number: A1650-A1652

Application: '99-'04 Ford Super Duty

VI. Bumper Installation

- ❑ **Optional:** If installing winch and roller fairlead into bumper, do it at this time. Bottom bolts (provided with winch) go through fairlead, then into winch. Thread 7/16" cap screws through hole in front bumper and into winch body.

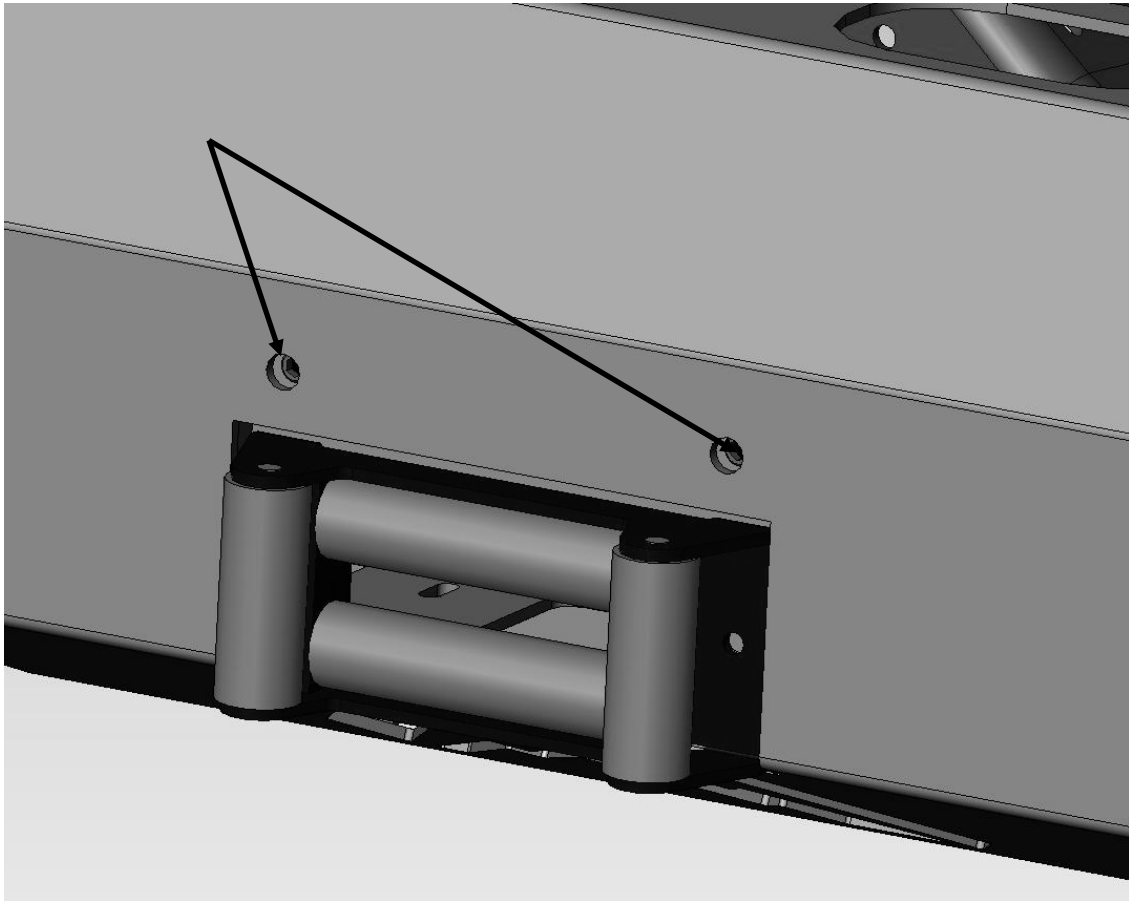


Figure 6





Installation Instructions

Ford Winch Bumper

Product Number: A1650-A1652

Application: '99-'04 Ford Super Duty

- A) Install Mounting Bracket (#4) and Mounting Bracket Assembly (#3) onto bumper as shown using four $\frac{1}{2}$ -13 x 5" bolts, washers, and hex nuts. Tighten finger tight to allow for adjustment. Repeat for other side.

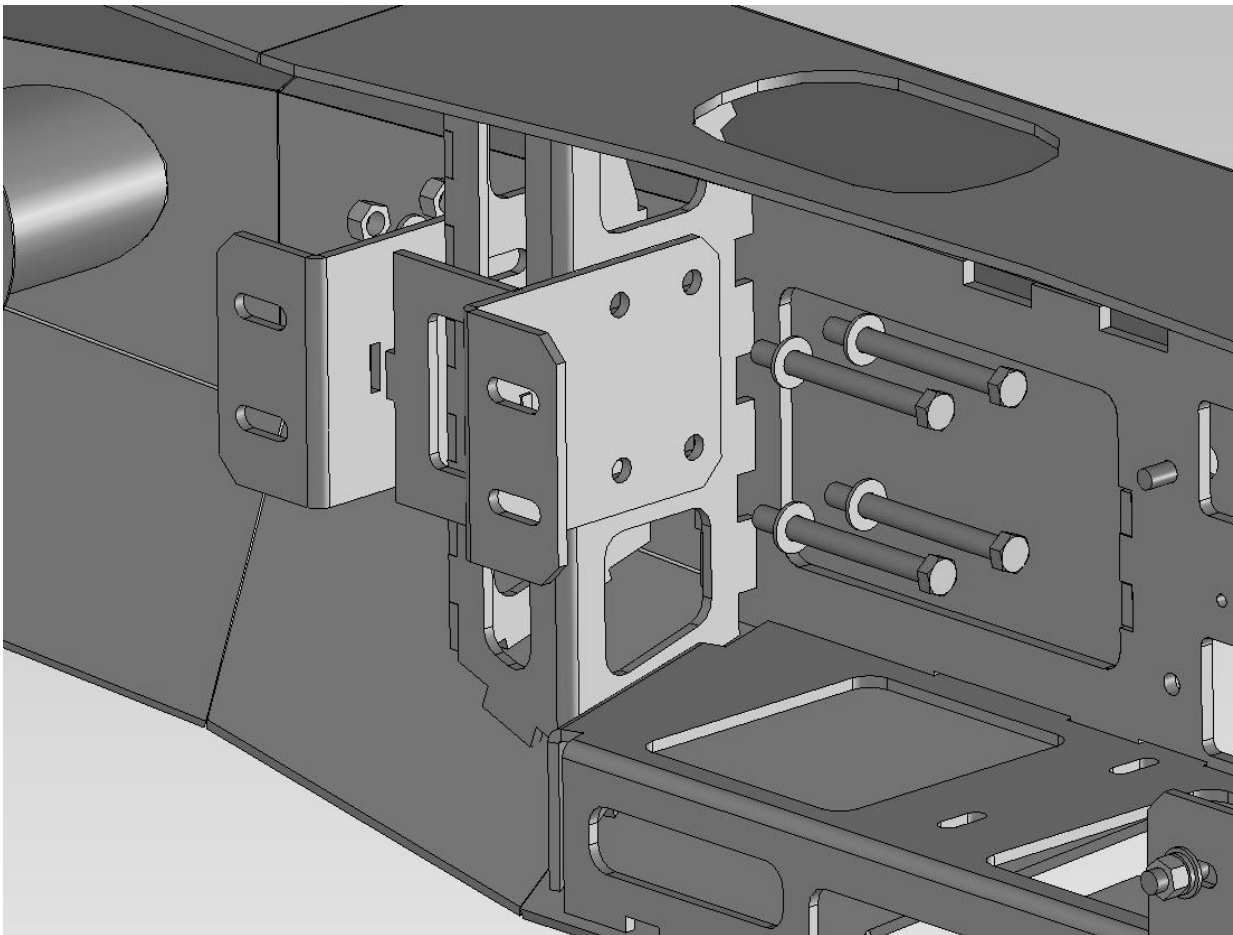


Figure 7





Installation Instructions

Ford Winch Bumper

Product Number: A1650-A1652

Application: '99-'04 Ford Super Duty

- B) Carefully lift bumper and up the mounting flanges. Hold bumper against mounting flanges, slide flat washer over bolt and slide through each of the four mounting holes using four $\frac{1}{2}$ "-13 x $1\frac{1}{2}$ " bolts, flat washers, lock washers, and nuts. Tighten to finger tight until final alignment is finished. Repeat for other side.

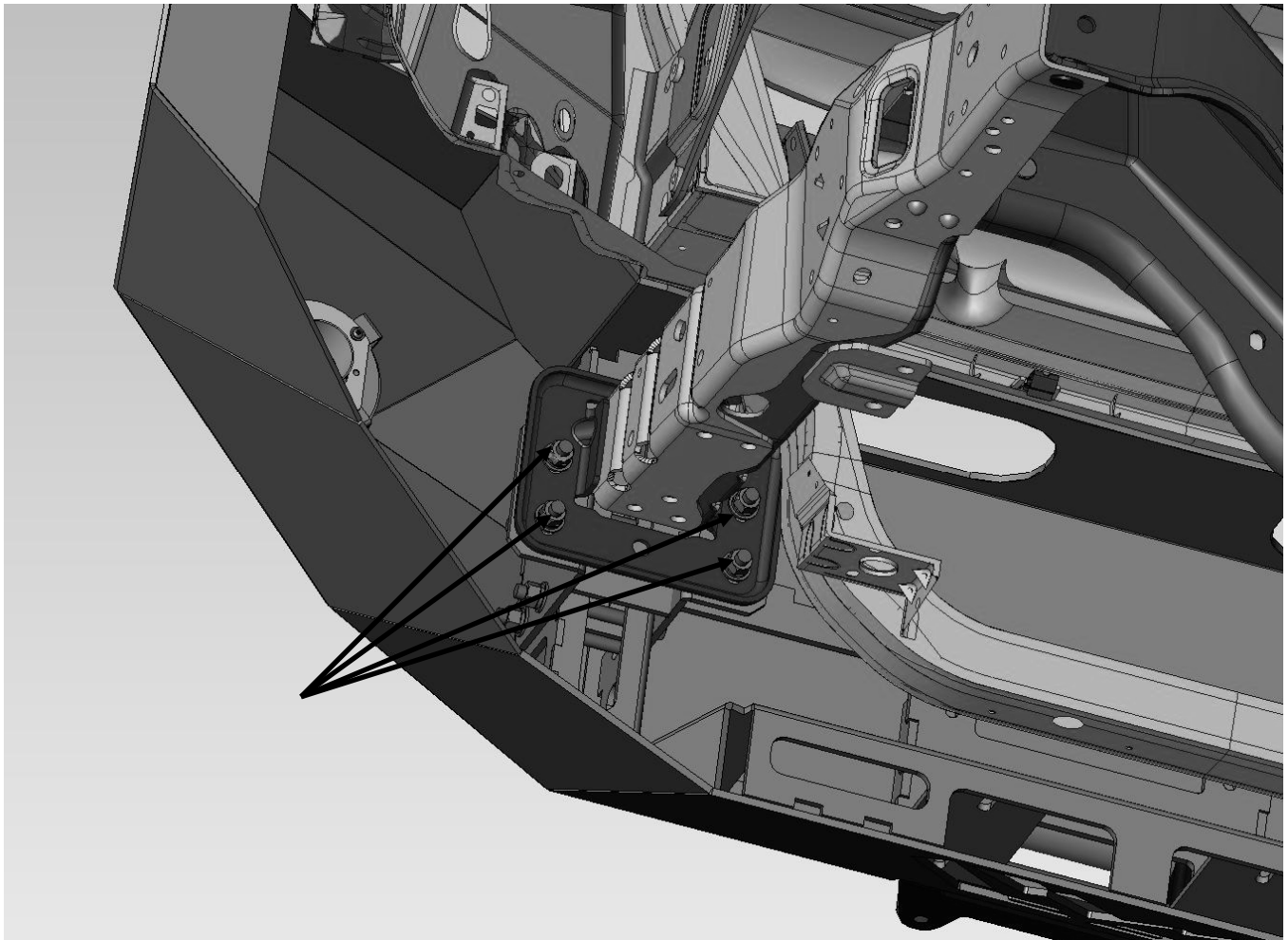


Figure 8





Installation Instructions

Ford Winch Bumper

Product Number: A1650-A1652

Application: '99-'04 Ford Super Duty

- ❑ C) Adjust the bumper to achieve good visual alignment as follows:
 1. Adjust “castor” and in/out with mounting bracket (on bumper).
 2. Adjust left/right and up/down with the bumper/bracket flange bolts.
- ❑ F) Tighten all fasteners; beginning with frame mounts. Then tighten all mount-to-bumper fasteners.
- ❑ G) Connect wiring harnesses to lights as shown in wiring diagram.
- ❑ H) Verify proper operation of lights. **Note:** Turn indicators should be dim during “running” condition and flash bright for turn.

Optional: Trim inner plastic fender with tin snips to match bumper profile.





Installation Instructions

Ford Winch Bumper

Product Number: A1650-A1652

Application: '99-'04 Ford Super Duty

VII. Wiring Diagram

Note: wire colors may vary

Driver Side Turn Indicator at Headlight

OEM (Running) Brown → White Fab Fours
OEM (Turn) Green/White → Red Fab Fours
OEM (Ground) Black → Green Fab Fours

Passenger Side Turn Indicator at Headlight

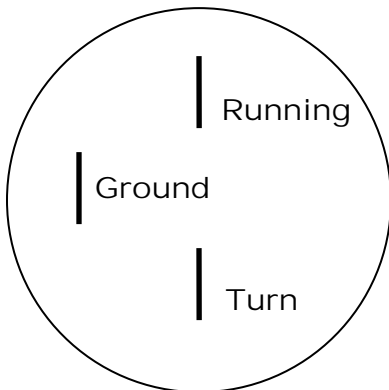
OEM (Running) Brown → White Fab Fours
OEM (Turn) Green → Red Fab Fours
OEM (Ground) Black → Green Fab Fours

Fog Lamp

OEM (Power) Orange/Grey → Red Fab Fours
OEM (Ground) Black → Green Fab Fours

Note: Tap into Fab Fours driver side fog lamp harness to supply passenger side

Hella Turn Indicator Connectors





Installation Instructions

Ford Winch Bumper

Product Number: A1650-A1652

Application: '99-'04 Ford Super Duty

VIII. Maintenance/Care

- Periodically check and tighten all fasteners.
- Stripped, fractured, or bent bolts or nuts need to be replaced.

IX. Contact Information

Fab Fours Inc.
10424 Rodney St
Charlotte, NC 28134

Phone (866)-385-1905
Fax (866)-574-1424
Email Support@fabfours.com



More than expected... Better than expected

