



INSTALLATION INSTRUCTIONS
2005-09 LANDROVER LR3
PART # 200112 / 200112-2

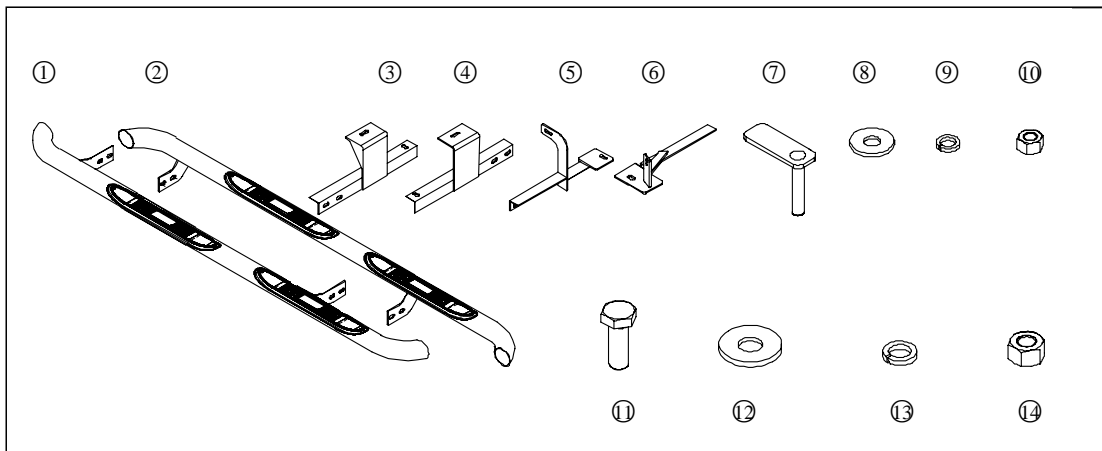


ATTENTION

λ Please read this installation Menu before installing this part. When install it, pay attention to protecting your vehicles.

PART LIST

No.	Name	Qty	Remarks	No.	Name	Qty	Remarks
①	Sided bar(left)	1		⑧	Flat washer	6	8mm
②	Sided bar(right)	1		⑨	Spring washer	6	8mm
③	Front bracket(left)	1		⑩	Hex nut	6	M8
④	Front bracket(right)	1		⑪	Hex bolt	8	M10×30
⑤	Rear braket(left)	1		⑫	Flat washer	16	10mm
⑥	Rear bracket(right)			⑬	Spring washer	8	10
⑦	T-bolt	6	M8×35	⑭	Hex nut	8	M10





STEP ONE : Before you start the installation, make sure that you have all the components listed above.

STEP TWO : Please protect your vehicles from being scratched during the process of installing the side bar.

STEP THREE : Determine left and right bracket.

STEP FOUR : Remove original bolt from the vehicle as shown in Fig. 1.

STEP FIVE :Install part No.③ to chassis of the vehicles with part No. ⑦ ⑧ ⑨ ⑩ and original bolt as shown in Fig. 1.

STEP SIX : Install part No.⑤ to chassis of the vehicle with part No. ⑦ ⑧ ⑨ ⑩ as shown in Fig. 1.

STEP SEVEN : Install part No.① to part No.③ ⑤ with part No. ⑪ ⑫ ⑬ ⑭ as shown in FIG 1.

STEP EIGHT: Remove original bolt from the vehicle as shown in Fig. 2.

STEP NINE: Install part No.④ to chassis of the vehicles with part No. ⑦ ⑧ ⑨ ⑩ and original bolt as shown in Fig. 2.

STEP TEN : Install part No.⑥ to chassis of the vehicle with part No. ⑦ ⑧ ⑨ ⑩ as shown in Fig. 2.

STEP EVELEN :Install part No.② to part No.④ ⑥ with part No. ⑪ ⑫ ⑬ ⑭ as shown in Fig 2.

STEP TEELVE:Test and make sure that the side bar is steadily fixed.

STEP THRITTEEN :Installation is finished .

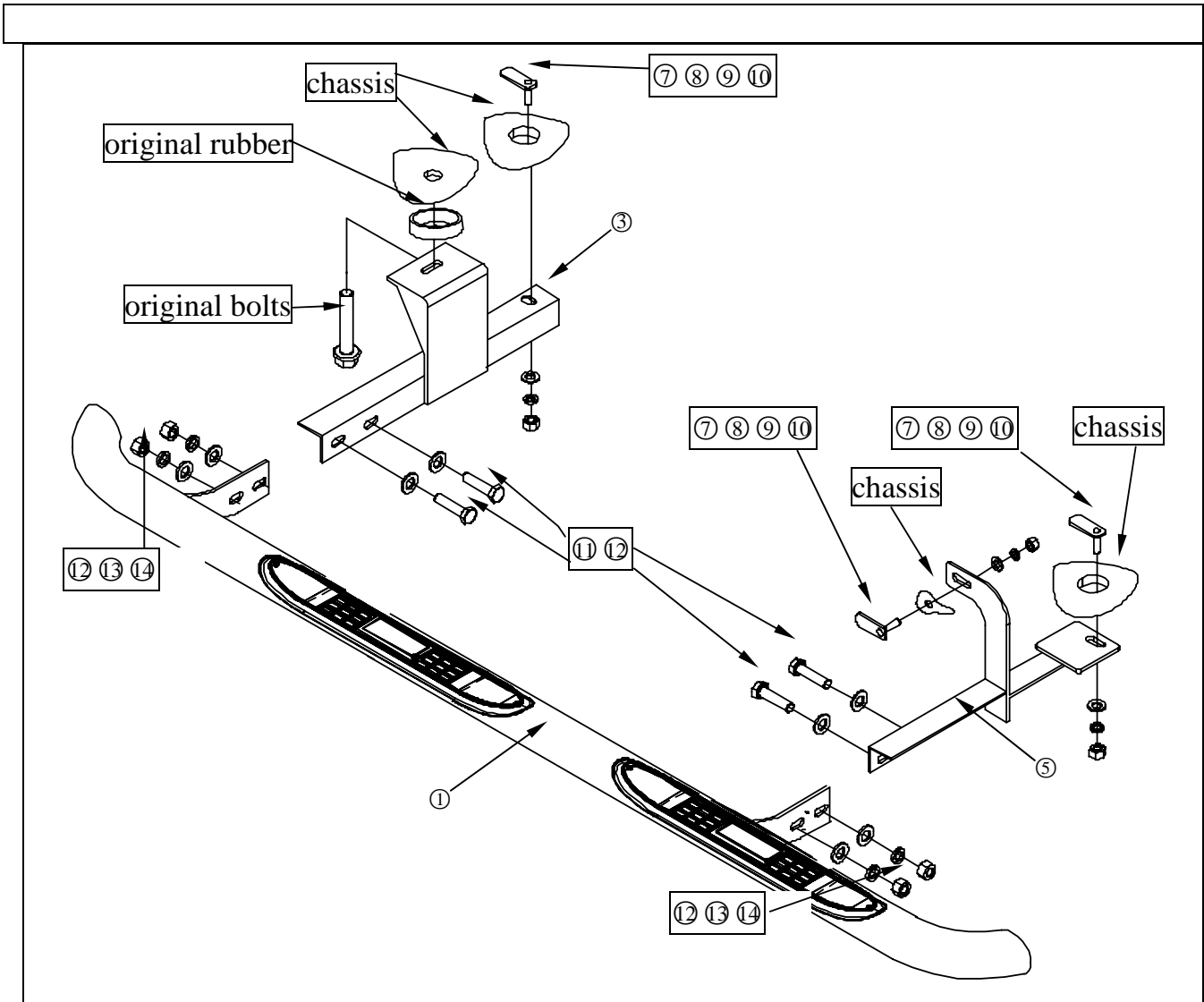




Fig. 2

