



INSTALLATION INSTRUCTIONS

SIDE BAR PART #207001/207001-2
2001-2005 HYUNDAI SANTA FE 2/4WD

PARTS LIST

(2) SIDE TUBES WITH STEPS	(16) ½" FLAT WASHERS
(2) FRONT MOUNT BRACKETS	(8) 3/8" x 1 ½" HEX HEAD BOLT WITH METAL STRAP
(2) REAR MOUNT BRACKETS	(8) 7/16" FLAT WASHERS
(8) ½" x 2" HEX HEAD BOLTS	(8) 3/8" HEX LOCK NUTS
(8) ½" HEX LOCK NUTS	

PROCEDURE

1. Begin installation by working on driver side of the vehicle (refer to Figures 1. 1- 1.4).
2. Locate and remove (2) rubber drain plugs located on inside of rocker panel where the Front and Rear Mount Brackets will be installed.
Note: The plugs may be hidden under factory undercoating. Scrape away undercoating in this area to provide a flat surface for the brackets.
3. Place (1) 3/8" x 1 ½" bolt with metal strap into hole where the front drain plug was removed, and attach to Front Mount Bracket using (1) 7/16" flat washer and (1) 3/8" lock nut (see Figure 1.3). With Front Mount Bracket held firmly against rocker panel, line up slot on opposite end of the bracket with hole in frame rail. Place (1) 3/8" x 1 ½" bolt with metal strap into hole, and secure in same manner as the first bolt. Hand tighten.
4. Attach and secure Rear Mount Bracket to vehicles rocker panel and frame in same manner as the front (see Figure 1.4).
5. Attach Side Tube to Brackets using (2) ½" x 2" bolts, (4) ½" flat washers, and (2) ½" lock nuts, for each Mount Bracket. Hand tighten.
Note: Step Pad closer to the end of the tube goes to the rear (see Figure 1.2).
6. Adjust Side Tube so that it is level and centered, and tighten all bolts to complete the driver-side assembly.
7. Repeat process for passenger side of vehicle to complete installation.



Figure 1.1 – Driver-Side Assembled View

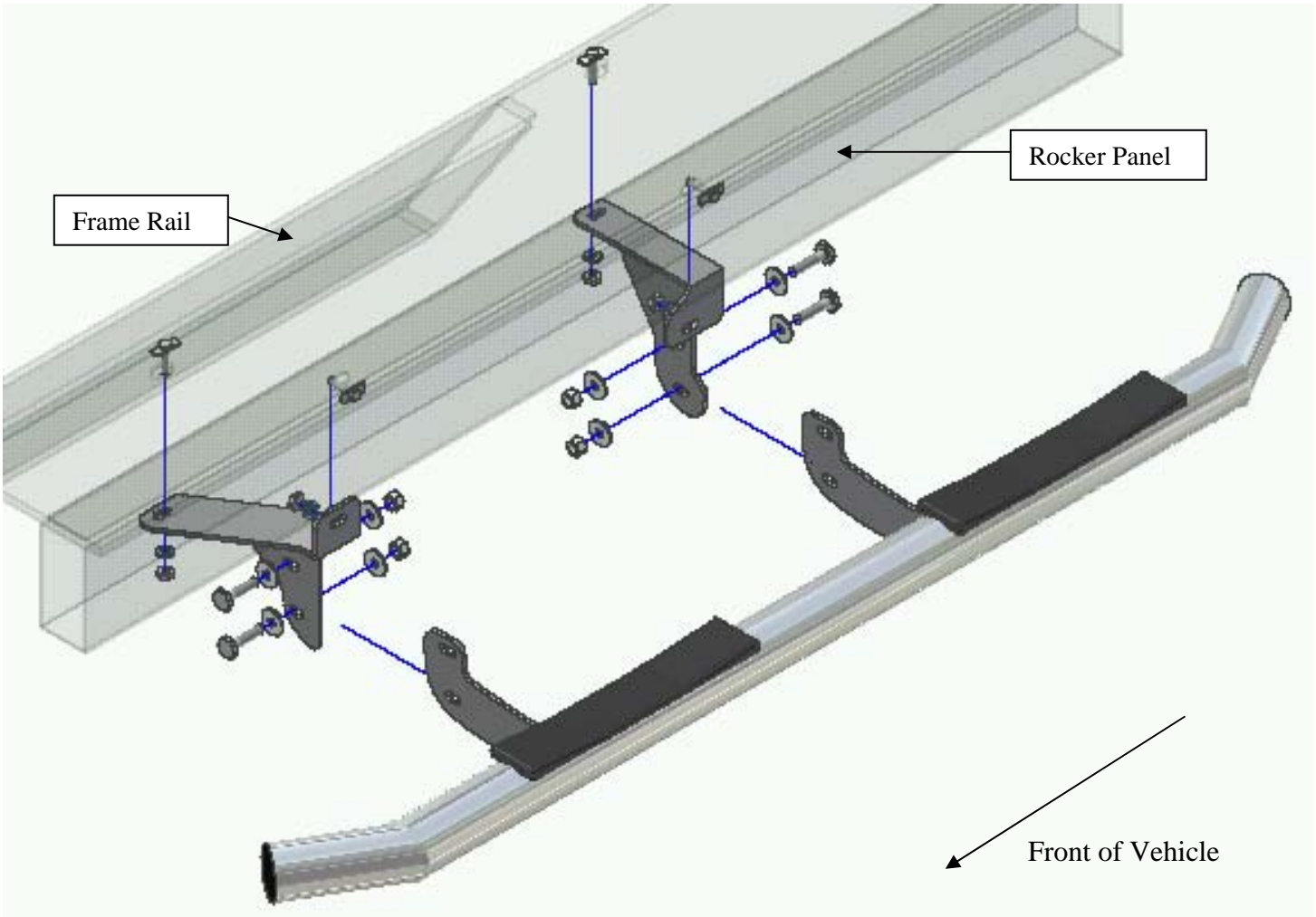


Figure 1.2 – Driver-Side Full Assembly View

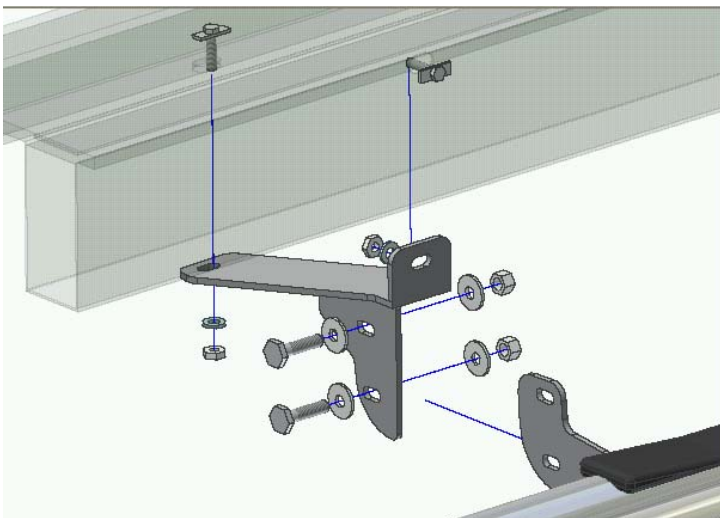


Figure 1.3 – Front Bracket

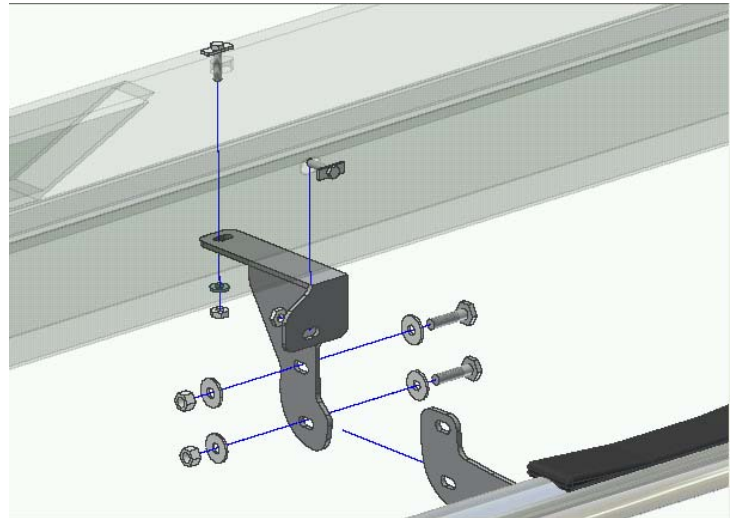


Figure 1.4 – Rear Bracket