

## INSTALLATION INSTRUCTIONS AND PARTS LIST

APPLICATION: MODEL 480434 STAINLESS STEEL SIDE ENTRY STEPS ON:  
2004 AND NEWER DODGE DURANGO

1. READ INSTRUCTIONS COMPLETELY AND CHECK TO MAKE SURE THAT ALL REQUIRED PARTS (LISTED ON SERVICE PARTS LIST) ARE ON HAND BEFORE STARTING THE INSTALLATION.
2. PEEL AWAY THE PROTECTIVE VINYL COVERING AND CLEAN THE TOP OF EACH STEP PLATE TO REMOVE ANY VINYL COVERING RESIDUE. (A GOOD GLASS CLEANER IS SUGGESTED).
3. THE TRIM PIECE THAT COVERS THE PINCH WELD MUST BE REMOVED. THIS PART IS NOT REUSED IN THIS APPLICATION.
4. EXISTING MOUNTING HOLE PATTERNS ARE LOCATED THROUGH THE PINCH WELD.
  - 4.1. INSTALL A 5/16-18 MULTI THREAD U-NUT (ITEM # 14) AT THE LOCATIONS SHOWN. (THESE ARE THE 2 MOST REAR HOLES OF THE 3 HOLE PATTERN.)
5. THE STEP ASSEMBLIES MUST BE MOUNTED TO THE PINCH WELD AND BOTTOM INBOARD SLOPED SURFACE OF THE ROCKER PANEL PER THE FOLLOWING INSTRUCTIONS.
  - 5.1. POSITION THE STEP ASSEMBLY (ITEM #1 THRU #11) UP UNDER THE ROCKER PANEL SO THAT HOLES IN THE BRACE, LINE UP WITH THE U-NUTS. INSERT THE 5/16-18 X 1.00 BOLTS (ITEM #12) AND THE 5/16 FLAT WASHERS (ITEM #13) THROUGH THE BRACE AND INTO THE U-NUTS. (TORQUE THESE BOLTS TO 19 FT. LB FT.)
  - 5.2. USING THE UPPER HOLES IN THE BRACE AS A PILOT, DRILL 3/16" DIA. PILOT HOLES AND INSTALL 1/4" X 3/4" HEX WASHER HEAD THREAD FORMING SCREWS (ITEM #14) AS SHOWN. (TORQUE THESE SCREWS TO 10 LB. FT.).

### SERVICE PARTS LIST

ITEM	PART NO.	QTY	DESCRIPTION
1	549554	1	STEP PLATE-SES, RH, DODGE DURANGO
2	549555	1	STEP PLATE-SES, LH, DODGE DURANGO
3	549556	6	BRACE-SUPPORT,SES,RH/LH,DODGE DURANGO
4	104250	2	END CAP-RH FRONT/LH REAR
5	104251	2	END CAP-LH FRONT/RH REAR
6	105500	4	PAD,STEP PLATE,20.00"
7	104255	2	TRIM-SEAL,SES,EXTRUDED
8	104257	12	NUT-HEX,SGL SELF THD,CAP WASHER,1/4"
9	104258	10	BOLT-CARRIAGE,SST,#10-24 X 3/4"LG
10	104259	2	BOLT-CARRIAGE,SST,CLIPPED,#10-24 X 3/4"LG
11	104261	12	NUT-SERRATED FLANGE,HEX,SST,#10-24
12	101339	12	SCREW-HEX HD, 5/16-18 X 3/4", ZP
13	100034	12	WSHR-A, 5/16, .38 X .88 X .083, ZP
14	104264	12	NUT-U, MULTI, 5/16-18
15	100004	6	SCREW-HEX WASHER HEAD,TF,AB,1/4" X 3/4"

SERVICE PARTS LIST  
 MODEL NO. - 480434

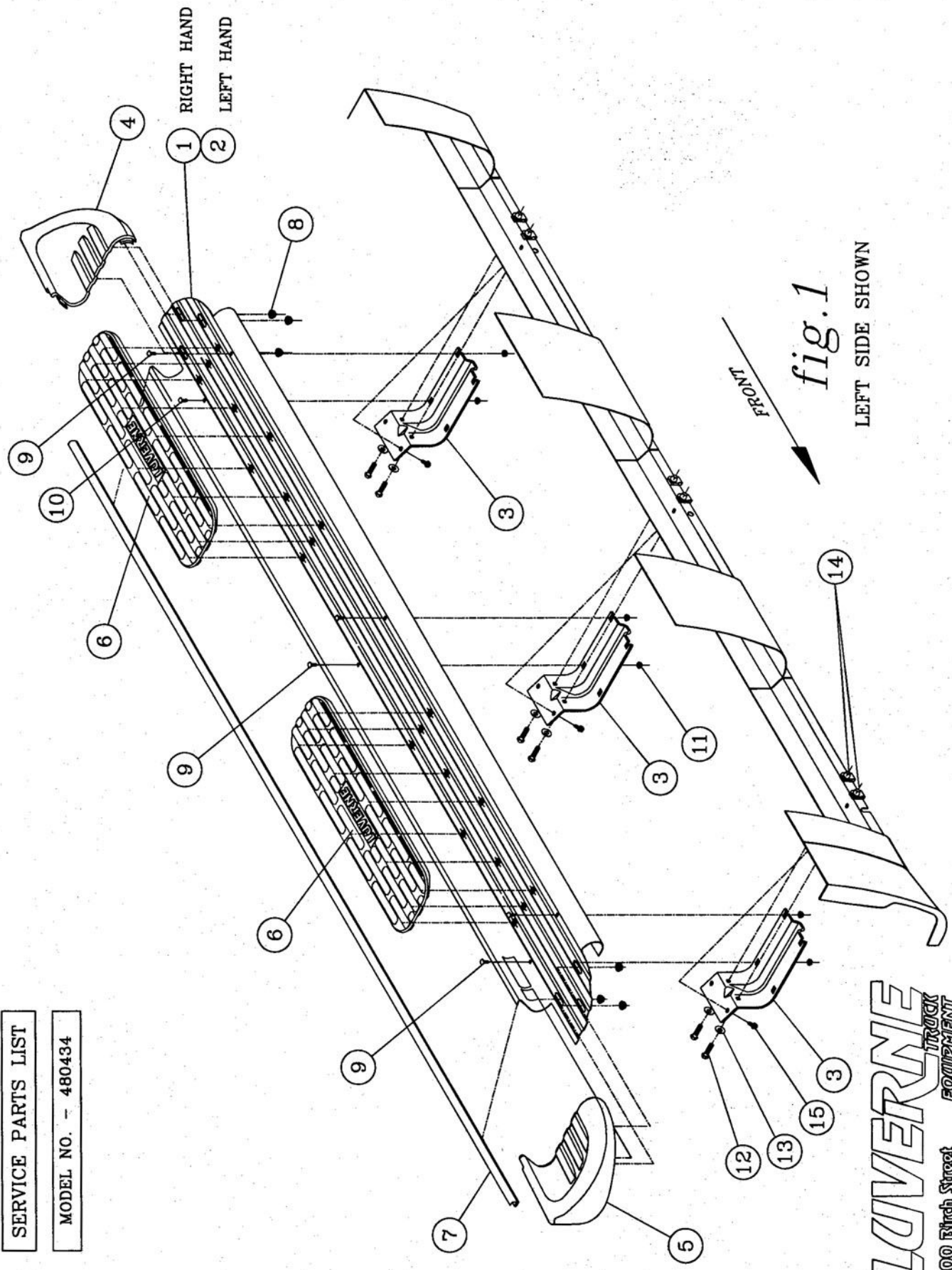


fig.1  
 LEFT SIDE SHOWN

**LAVERNE**  
 TRUCK  
 EQUIPMENT  
 INC  
 1700 Birch Street  
 Brandon, SD 57005